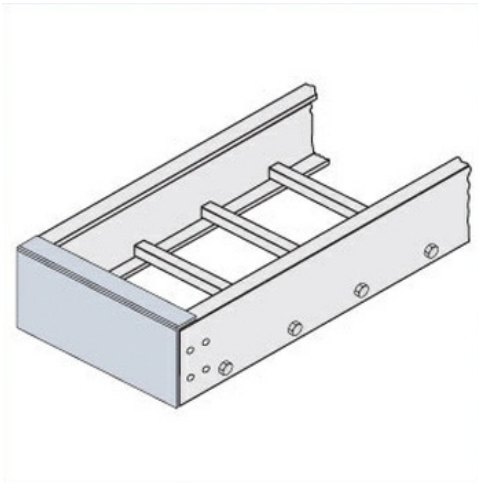




Cablofil
Blind End Plate
Part No. P606970



Specifications

General Info

Product Line	Cablofil	Finish	Pre-Galvanized GS
--------------	----------	--------	-------------------

Dimensions

Product Volume US	0.028 cu ft	Product Width US	8.75 in
Product Height US	3.625 in	Product Weight US	0.84 lb
Product Depth US	1.5 in		