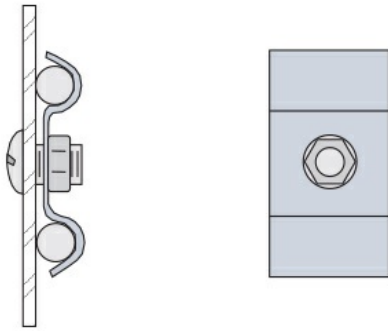




Cablofil
Z-1873-01-GE Ground Wire Clamp Kit w/Hdw
Part No. P607311



The aluminum I-beam design of ITray is perfect for industrial installations with large diameter cables in long span situations, minimizing total tray width and creating a smooth transition between straight sections and fittings. A structural offset in the sidewall creates strong, mid-span splices that need fewer supports. Each splice snaps in place and stays without holding. Additionally, only four bolts are needed for each splice reducing hardware needs by 50%. These features allow Itray to be installed up to 30% faster than standard tray.

Features & Benefits

Steel construction

Specifications

General Info

| | | | |
|--------------|--------------|-------------------|----------------|
| Product Line | Cablofil | Finish | Pre-Galvanized |
| UPC Number | 800388468139 | Country Of Origin | Mexico |

Dimensions

| | |
|-------------------|---------|
| Product Weight US | 0.02 lb |
|-------------------|---------|

Buy American Act Compliance

| | |
|-----|-----|
| BAA | Yes |
|-----|-----|