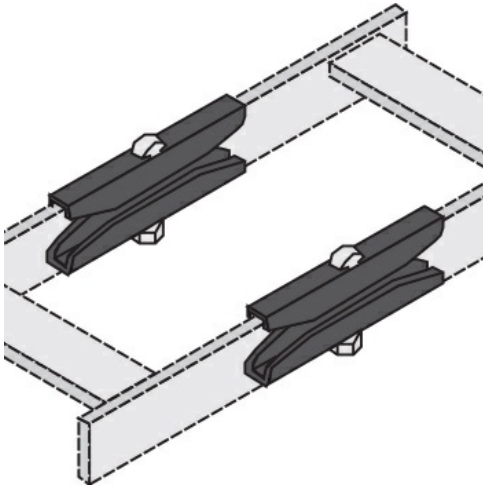




Cablofil  
5G1-1302-S6-UPCHG 5H S1 SPLICE CONN KIT  
Part No. P643111



Finishes include steel and 316L stainless steel to meet the needs of any application. Rail heights range from 4" to 7".

## Features & Benefits

All splices are supplied in pairs.

Type 316 stainless steel fasteners are standard on stainless steel systems, but are available as an option on all aluminum and steel systems.

Bonding jumpers are required for all expansion splice plates, adjustable connectors, and tray discontinuities.

Geomet fasteners are standard on aluminum and steel cable tray systems.

Sufficient connector pairs with fasteners are automatically included with each shipment of straight sections and fittings. Extras for field cuts or spares must be ordered separately.

## Specifications

### General Info

Country Of Origin	United States	Product Line	Cablofil
Finish	Hot Dipped		

### Dimensions

Product Volume US	0.008 cu ft	Product Width US	1.05 in
Product Height US	4.5 in	Product Weight US	0.195 lb
Product Depth US	3.0 in		

### Buy American Act Compliance

BAA	Yes
-----	-----