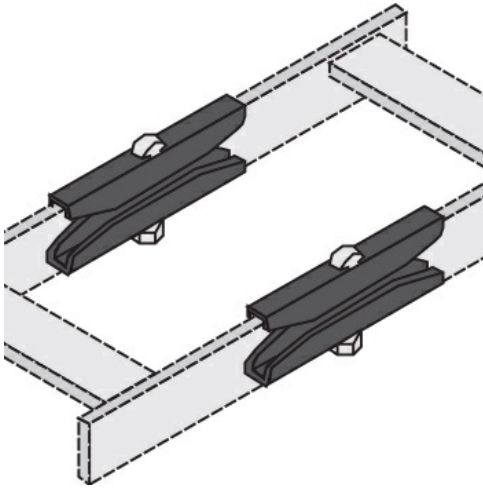




Cablofil  
Standard Splice  
Part No. P644507



Finishes include steel and 316L stainless steel to meet the needs of any application. Rail heights range from 4" to 7".

## Features & Benefits

All splices are supplied in pairs.

Type 316 stainless steel fasteners are standard on stainless steel systems, but are available as an option on all aluminum and steel systems.

Bonding jumpers are required for all expansion splice plates, adjustable connectors, and tray discontinuities.

Geomet fasteners are standard on aluminum and steel cable tray systems.

Sufficient connector pairs with fasteners are automatically included with each shipment of straight sections and fittings. Extras for field cuts or spares must be ordered separately.

## Specifications

### General Info

Country Of Origin	Mexico	Product Line	Cablofil
Finish	Aluminum		

### Dimensions

Product Volume US	0.028 cu ft	Product Width US	1.176 in
Product Height US	6.75 in	Product Weight US	0.82 lb
Product Depth US	6.0 in		

### Buy American Act Compliance

BAA	Yes
-----	-----