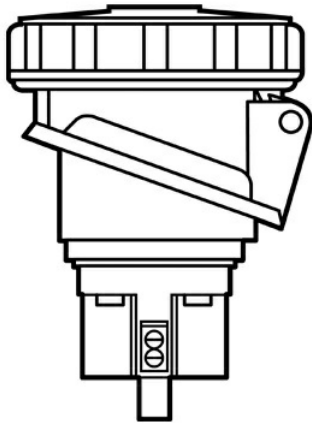




Pass and Seymour
60A Pin & Sleeve Receptacle
Part No. PS460R9W



Three pole, Four wire, Pin and Sleeve Receptacle. 60 amp, 3/250 volt.

Features & Benefits

All P&S Watertight Pin & Sleeve plugs, connectors, receptacles, and inlets bring you the features to enhance versatility, reliability, and safety.

And all feature chemical-resistant thermoplastic construction.

An exclusive, hinged cord grip eliminates loose parts that get lost.

North American products come completely ready to wire, for quick, simple installation.

Shrouded, nickel-plated, solid-brass pins provide corrosion protection and excellent conductivity.

Specifications

General Info

Color	Gray	UPC Number	785007617030
-------	------	------------	--------------

Country Of Origin	United States	Product Line	Pass & Seymour
-------------------	---------------	--------------	----------------

Application Sector	Commercial	Standard	UL Listed
--------------------	------------	----------	-----------

Listing Agencies / 3rd Party Agencies

cULus Listed	Yes	cULus ListingNumber	151348
--------------	-----	---------------------	--------

Technical Information

Number of Poles	3-Way	Voltage	250 V
-----------------	-------	---------	-------

Wire Size	2Awg	Number of Wires	4
-----------	------	-----------------	---