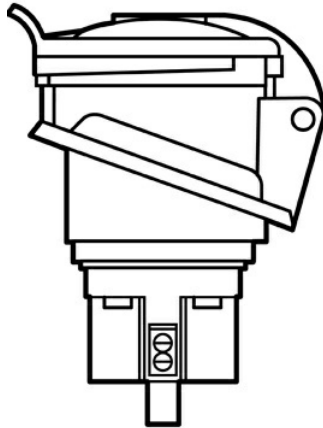




Pass and Seymour  
**Pin & Sleeve Splashproof 63A 440V/460V Receptacle**  
Part No. PS463R11S



Splashproof Receptacle, 3 Pole 4-Wire, 63A IP44 Suitability. 440/460V (60 Hz)

## Features & Benefits

Legrand Pin & Sleeve products provide installation ease, enduring performance in harsh conditions, and guaranteed IEC 309 compatibility.

Nylon construction for high impact and corrosion resistance.

Locking ring with an integral neoprene gasket provides watertight seal when plug and connector/receptacle are mated.

Combination-head screws for added convenience and quick installation.

Cover with integral neoprene gasket provides watertight seal.

Arrives ready to wire, with cord grip open and cable-ready. Terminal screws come backed out and ready to wire. Front and back body require no disassembly prior to assembly.

Nickel-plated brass pins provide extracorrosion resistance without sacrificing electrical conductivity.

Natural-rubber grommets provide watertight protection at cable entry.

Revolutionary, hinged cord grip for durable performance and ease of installation.

## Specifications

### General Info

Product Line	Pass & Seymour	Color	Gray
UPC Number	785007149425	Country Of Origin	United States

### Dimensions

Product Width US	4.2 in	Product Height US	5.08 in
Product Length US	6.26 in		