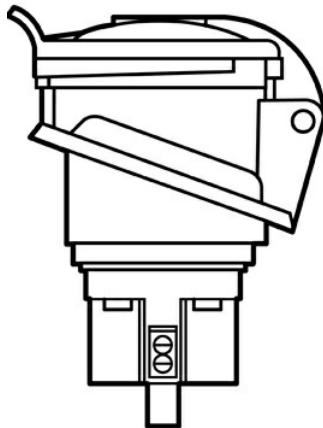




Pass and Seymour  
63A Pin & Sleeve International Splashproof Receptacle  
Part No. PS563R11S



Splashproof Receptacle, 4 Pole 5 Wire, 63Amp IP44 Suitability.  
250/440 265/460 (60 Hz) volt.

## Features & Benefits

All P&S Watertight Pin & Sleeve plugs, connectors, receptacles, and inlets bring you the features to enhance versatility, reliability, and safety.

North American products come completely ready to wire, for quick, simple installation. And all feature chemical-resistant thermoplastic construction.

Shrouded, nickel-plated, solid-brass pins provide corrosion protection and excellent conductivity.

An exclusive, hinged cord grip eliminates loose parts that get lost.

## Specifications

### General Info

Color	Gray	UPC Number	785007149685
Country Of Origin	United States	Product Line	Pass & Seymour