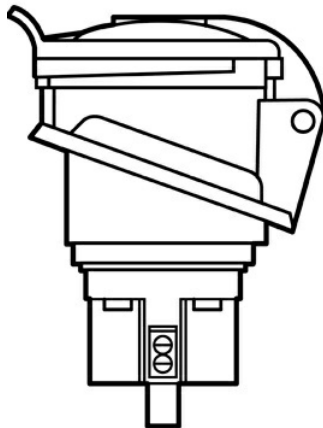




Pass and Seymour  
**63A Pin & Sleeve International Splashproof Receptacle**  
Part No. PS563R9S



Splashproof Receptacle, 4 Pole 5 Wire, 63Amp IP44 Suitability.  
120/208, 144/250 volt.

## Features & Benefits

All P&S Watertight Pin & Sleeve plugs, connectors, receptacles, and inlets bring you the features to enhance versatility, reliability, and safety.

North American products come completely ready to wire, for quick, simple installation. And all feature chemical-resistant thermoplastic construction.

Shrouded, nickel-plated, solid-brass pins provide corrosion protection and excellent conductivity.

An exclusive, hinged cord grip eliminates loose parts that get lost.

## Specifications

### General Info

|                   |               |              |                |
|-------------------|---------------|--------------|----------------|
| Color             | Gray          | UPC Number   | 785007149562   |
| Country Of Origin | United States | Product Line | Pass & Seymour |