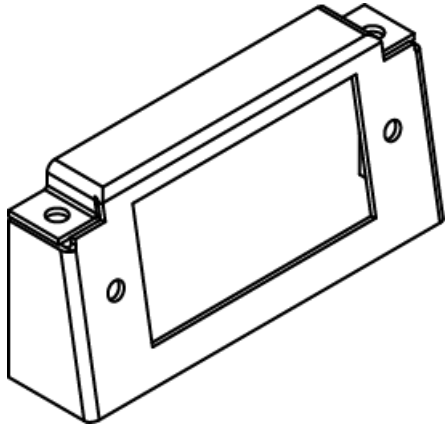




Wiremold  
**RFB4 Series Internal GFI Bracket**  
Part No. RFB-GFI



Accepts standard GFCI or Decorator Style Receptacles, Communication or Audio/Video Devices. NOTE: For RFB4 Series Floor Box end compartment only. For use on tile, terrazzo, carpet, or wood covered floors. Additional configurations available. Please consult your local Sales Representative for more information.

## Features & Benefits

---

Accepts standard GFCI or Decorator Style Receptacles, Communication or Audio/Video Devices. NOTE: For RFB4 Series Floor Box end compartment only. For use on tile, terrazzo, carpet, or wood covered floors. Additional configurations available. Please consult your local Sales Representative for more information.

## Specifications

---

### General Info

---

Product Line	Wiremold	UPC Number	786564994060
Country Of Origin	United States	Construction	Unassembled
Application Sector	Commercial	Standard	cULus Listed Metallic Outlet Boxes: File E2961 Guide QCIT Meets Article 314.27(C) of NEC.
Type	Floor Box		

---

### Listing Agencies / 3rd Party Agencies

---

cULus ListingNumber	E2961	cULus Listed	Yes
---------------------	-------	--------------	-----

---

### Additional Information

---

RoHS Conformant	Yes
-----------------	-----

---