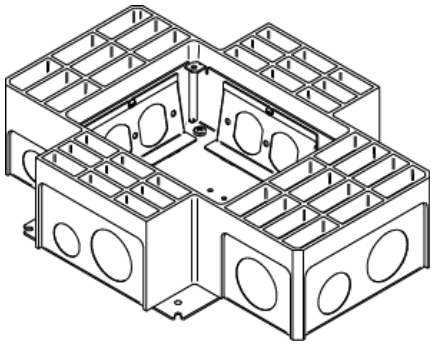




Wiremold
Discontinued - Resource RFB® Series Four Gang Floor Box with Four Duplex Receptacle Device Plates
Part No. RFB4-4DB



The RFB® Series RFB4-4DB Floor Box from Legrand is a versatile activation solutions that provides power to open space areas or directly to workstations. It is a fully adjustable floor box, with tunneling from adjacent or opposite compartments only, (not cross compartments). Tunneling can be set to feed all four compartments from one conduit in a single-service application. All boxes and covers are sold separately. RFB Series Floor Boxes are now available with the new FloorPort Activation Covers. This new series of cover incorporates TopGuard protection to prevent water, dirt, and debris from entering the power and communication device compartments. FloorPort Activation Covers are UL Listed to U.S. and Canadian safety standards for tile, terrazzo, carpet, and wood floors. The RFB Series has many unique applications, some of which include schools, financial institutions, commercial office buildings, and residences.

Features & Benefits

The RFB® Series RFB4-4DB Floor Box from Legrand is a versatile activation solutions that provides power to open space areas or directly to workstations

Specifications

General Info

| | | | |
|--------------------|------------|-------------------------|---|
| Product Line | Wiremold | Replaced by Part Number | RFBA4R30 |
| Color | Black | UPC Number | 786564277378 |
| Country Of Origin | Mexico | Construction | Assembled |
| Application Sector | Commercial | Standard | cULus Listed Metallic Outlet Boxes: File E2961 Guide QCIT Meets Article 314.27(C) of NEC. |
| Type | Floor Box | | |

Dimensions

| | | | |
|-------------------|--------------|-------------------|----------------------|
| Product Width US | 9.88 in | Product Weight US | 0.15 lb |
| Product Volume US | 436.75 cu in | Product Depth US | 12.63 in |
| Product Height US | 3.5 in | Cubic Capacity | 22.5 in ³ |

Listing Agencies / 3rd Party Agencies

| | | | |
|---------------------|-------|--------------|-----|
| cULus ListingNumber | E2961 | cULus Listed | Yes |
|---------------------|-------|--------------|-----|

Trade Programs

| | |
|-------|-----|
| USMCA | Yes |
|-------|-----|

Additional Information

| | | | |
|----------------|-----|-------------------------------|-----|
| RoHS Compliant | Yes | Product Environmental Profile | Yes |
|----------------|-----|-------------------------------|-----|

Technical Information

| | | | |
|-------------|----------|-------------------|---|
| Cable Entry | knockout | Number of Outlets | 0 |
|-------------|----------|-------------------|---|
