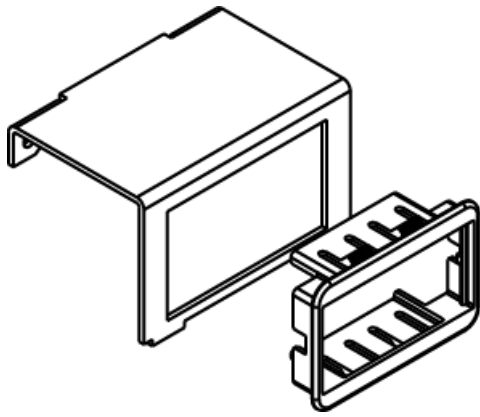




Wiremold  
SAF2 1/2 Series Communication Plate  
Part No. SGC2-ACT



Single-gang adapter. Includes one (1) Wiremold Open System adapter.

## Features & Benefits

This product meets the material restrictions of RoHS

## Specifications

### General Info

UPC Number	786564141365	Country Of Origin	United States
Product Line	Wiremold	Application Sector	Commercial
Type	Floor Box	Construction	Not Assembled

Standard  
UL Listed Classified Raised Floor Box: File E2961, Guide QCIT. UL Listed Classified Raised Floor Box (prewired): File E51105, Guide QQVX. Meets Article 314 of NEC. Meets Article 12 2500 of CEC.

### Listing Agencies / 3rd Party Agencies

cULus Listed	Yes	cULus ListingNumber	E2961
--------------	-----	---------------------	-------

### Buy American Act Compliance

NAFTA	Yes
-------	-----

### Additional Information

RoHS Conformant	Yes
-----------------	-----