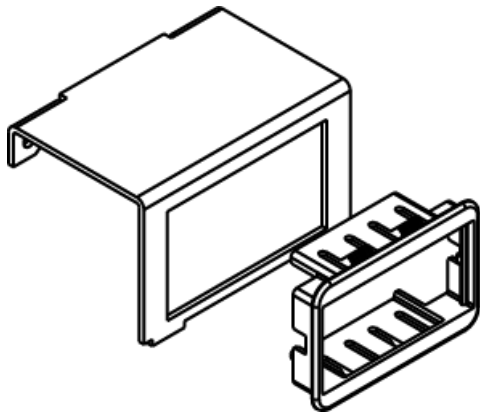




Wiremold
SAF2 1/2 Series Communication Plate
Part No. SGC2-ACT



Single-gang adapter. Includes one (1) Wiremold Open System adapter.

Features & Benefits

This product meets the material restrictions of RoHS

Specifications

General Info

UPC Number	786564141365	Country Of Origin	United States
Product Line	Wiremold	Application Sector	Commercial
Type	Floor Box	Construction	Not Assembled

Standard
UL Listed Classified Raised Floor Box: File E2961, Guide QCIT. UL Listed Classified Raised Floor Box (prewired): File E51105, Guide QQVX. Meets Article 314 of NEC. Meets Article 12 2500 of CEC.

Listing Agencies / 3rd Party Agencies

cULus Listed	Yes	cULus ListingNumber	E2961
--------------	-----	---------------------	-------

Buy American Act Compliance

NAFTA	Yes
-------	-----

Additional Information

RoHS Conformant	Yes
-----------------	-----