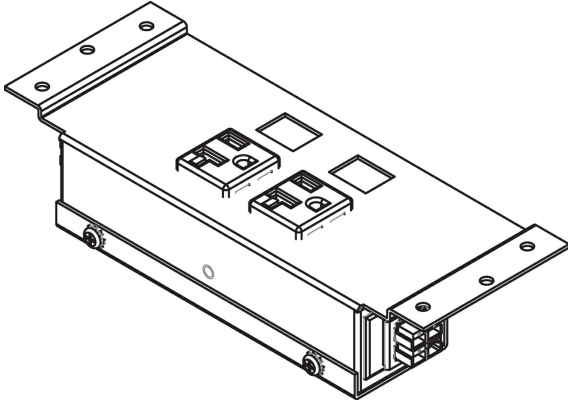




Wiremold
SGL WSMP W/USB 72IN SLP CKT2 SL CVR FOR 72IN TABLE, 1 SL PORTAL, SL CVR
Part No. WSMPU72SS1B



Specifications

General Info

Product Line	Wiremold	UPC Number	786776188691
Country Of Origin	United States	Application Sector	Commercial

Listing Agencies / 3rd Party Agencies

CSA Listed	Yes
------------	-----

Buy American Act Compliance

NAFTA	Yes
-------	-----

Additional Information

RoHS Conformant	Yes
-----------------	-----