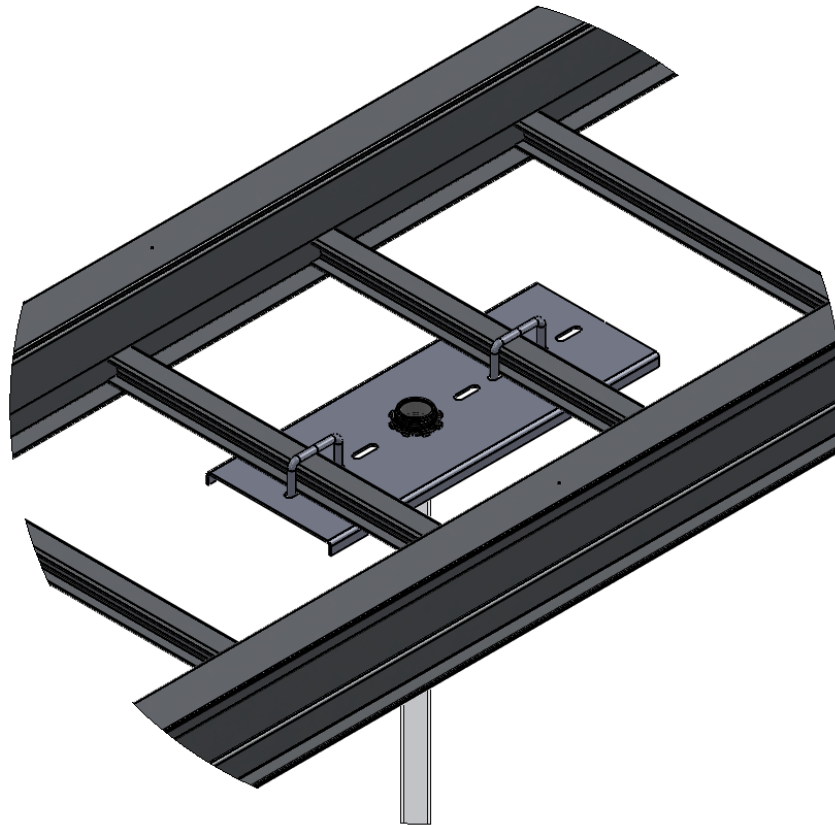




Cablofil Ladder Tray Accessory

0226 Conduit Plate Clamp



Comes With:

- x1 Conduit Attachment Plate
- x1 EMT Connector
- x4 1/4" - 1 3/4" L-Bolts
- x4 1/4" Nuts

Material: Mill Galvanized Steel (M)
Aluminum (A)

Hardware Finish: Geomet (GE)

RUNG SPACING	COMPATIBLE
9" PLATE	6 IN
	9 IN
18" PLATE	12 IN
	18 IN

A **M**

PRODUCT NUMBER	EMT DIA.	
0226-05	1/2"	
0226-06	3/4"	
0226-10	1"	
0226-11	1 1/4"	
0226-12	1 1/2"	
0226-20	2"	
0226-25*	2 1/2"	
0226-30*	3"	
0226-40*	4"	
FASTENERS INCLUDED		
GE		
CATALOG NUMBERING EXAMPLE:		
Rung Spacing	Material	Fasteners
09	- M	- 0226-11 - GE

"Copyright LNA, Inc. Drawings are proprietary and may not be copied or otherwise duplicated or used without express written permission."

CABCS1234

Legrand
8319 State Rt. 4
Mascoutah, IL 62258 USA
800-658-4641
618-566-3250
Fax 618-566-4978
www.legrand.us/cablofil