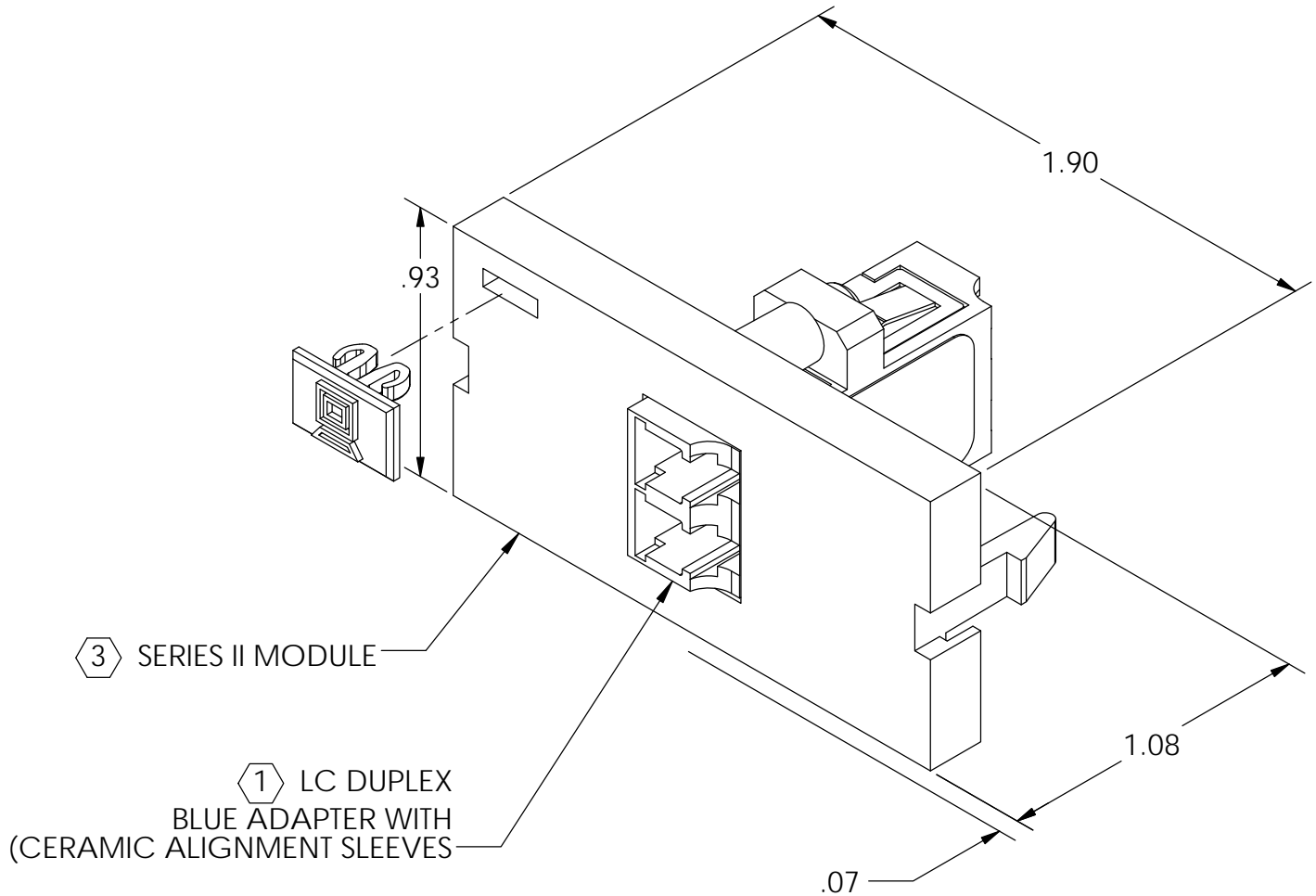



NOTES:

1. DUSTCAPS ARE PROVIDED INSTALLED.
2. DIMENSIONS ARE IN INCHES.
3. THE "-XX" AT THE END OF THE PART NUMBER SHALL INDICATE THE COLOR OF HOUSING. COLOR SHALL BE IN ACCORDANCE WITH LEGRAND SPECIFICATION 71601388.

⬡ INDICATES NOTE REFERENCE



<p>*** NOTICE ***</p> <p>THIS DOCUMENT CONTAINS CONFIDENTIAL AND/OR PROPRIETARY INFORMATION INTENDED FOR USE ONLY BY THE INDIVIDUAL(S) PROVIDED. NEITHER THIS DOCUMENT, NOR ANY INFORMATION CONTAINED HEREIN, MAY BE COPIED, DISTRIBUTED, DISCLOSED TO ANY THIRD PARTY OR USED IN ANY MANNER OTHER THAN FOR WHICH IT HAS BEEN PROVIDED, WITHOUT THE PRIOR WRITTEN CONSENT OF LEGRAND. MANUFACTURING RELEASE. PRODUCT SPECIFICATIONS AND STANDARDS ARE SUBJECT TO CHANGE WITHOUT NOTICE.</p>					WWW.LEGRAND.US	
<p>TITLE</p> <p>SERIES II, 1/LC/DX/SM/BLUE, 180°, 1U, CERAMIC SLEEVES</p>						
	NAME	DATE	SIZE	CAD FILE	DWG. NO	REV
DWN	RYNASKI	06/12/2007	A	60900361XXC	60900361-XX	05
CHK	AM	05/16/2006	SCALE 2:1		SHEET 1 OF 1	
APPR	MEM	05/15/2006				