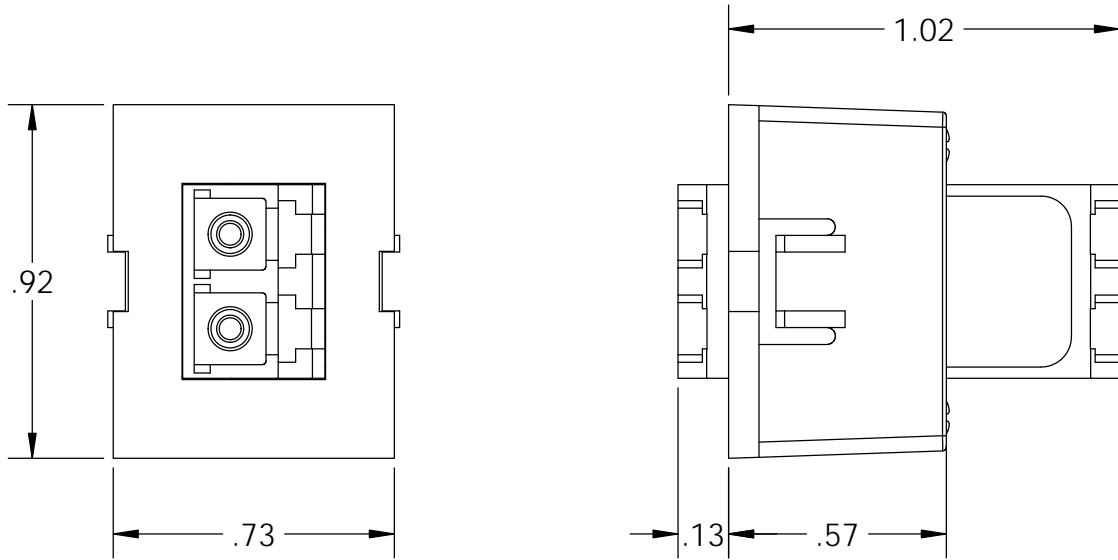


NOTES:

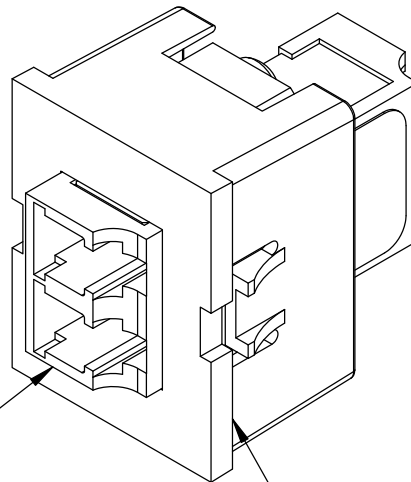
1. DUSTCAPS ARE PROVIDED INSTALLED.
2. DIMENSIONS ARE IN INCHES.
3. THE "-XX" AT THE END OF THE PART NUMBER SHALL INDICATE THE COLOR OF HOUSING. COLOR SHALL BE IN ACCORDANCE WITH LEGRAND SPECIFICATION 71601654.

⬡ INDICATES NOTE REFERENCE



1

ADAPTER, LC, DUPLEX,
(2 FIBER) BLUE, WITH
CERAMIC ALIGNMENT
SLEEVES



TRACJACK HOUSING 3

<p>*** NOTICE *** THIS DOCUMENT CONTAINS CONFIDENTIAL AND/OR PROPRIETARY INFORMATION INTENDED FOR USE ONLY BY THE INDIVIDUAL(S) PROVIDED. NEITHER THIS DOCUMENT, NOR ANY INFORMATION CONTAINED HEREIN, MAY BE COPIED, DISTRIBUTED, DISCLOSED TO ANY THIRD PARTY OR USED IN ANY MANNER OTHER THAN FOR WHICH IT HAS BEEN PROVIDED, WITHOUT THE PRIOR WRITTEN CONSENT OF LEGRAND. MANUFACTURING RELEASE. PRODUCT SPECIFICATIONS AND STANDARDS ARE SUBJECT TO CHANGE WITHOUT NOTICE.</p>					WWW.LEGRAND.US	
<p>TITLE</p> <p>TRACJACK, LC/DX/CER/SM/BLUE, FLUSH, 180°</p>						
	NAME	DATE	SIZE	CAD FILE	DWG. NO	REV
DWN	HATHAWAY	03/12/2007	A	63700076XXC	63700076-XX	04
CHK	AM	03/20/2007	SCALE 2:1		SHEET 1 OF 1	
APPR	MEM	03/21/2007				