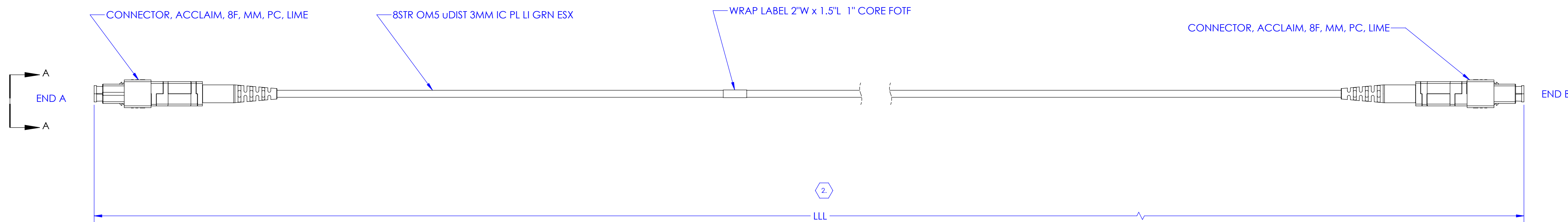
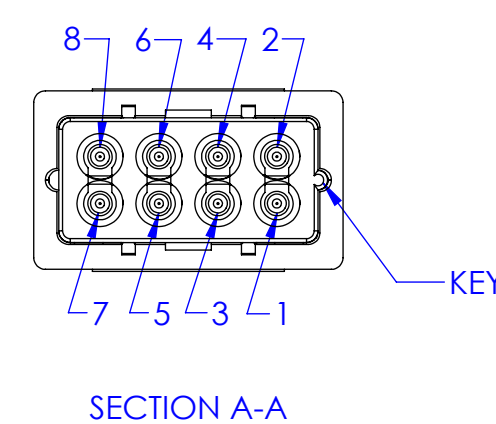


- NOTES:
- ALL CABLE ASSEMBLIES DESCRIBED BY THIS DOCUMENT SHALL BE IN ACCORDANCE WITH PERFORMANCE SPECIFICATION 71800079C, AND SHALL MEET OR EXCEED TIER 1.
 - THE NOTATION "LLL" WITHIN THE PART NUMBER SHALL IDENTIFY THE OVERALL LENGTH FROM FERRULE TIP TO FERRULE TIP AS SHOWN. THE UNITS OF MEASURE ARE INDICATED BY THE CHARACTER POSITION IMMEDIATELY FOLLOWING THE "LLL" PORTION OF THE PART NUMBER (I.E. M=METERS, F=FEET). LENGTH TOLERANCE IS:
 $\leq 1FT = -0/+1IN$
 $> 1FT \leq 5FT = -0/+2IN$
 $> 5FT \leq 10FT = -0/+4IN$
 $> 10FT \leq 25FT = -0/+6IN$
 $> 25FT = -0/+5\%$
 - MULTIMODE CONNECTORS SHALL BE PC
 - THE CABLE SHALL HAVE THE FOLLOWING INFORMATION PRINTED ON THE JACKET: DATE OF MANUFACTURE, FIBER CORE DIAMETER/CLADDING DIAMETER, LOT NUMBER, AND SEQUENTIAL LENGTH MARKINGS. FOR PLENUM OFNP SHALL BE MARKED ON THE CABLE.
 - FOR FIBER SPECIFICATION SEE SHEET 1. FOR CABLE GEOMETRY REFERENCE SEE SHEET 1.
 - POLARITY SHALL BE PER CONNECTION TABLE.
 - EACH CABLE ASSEMBLY SHALL BE IDENTIFIED WITH A PART NUMBER, A 4 DIGIT MANUFACTURE DATE CODE (WWYY=WEEK YEAR), LOCATION CODE (XX), AND SERIAL NUMBER.



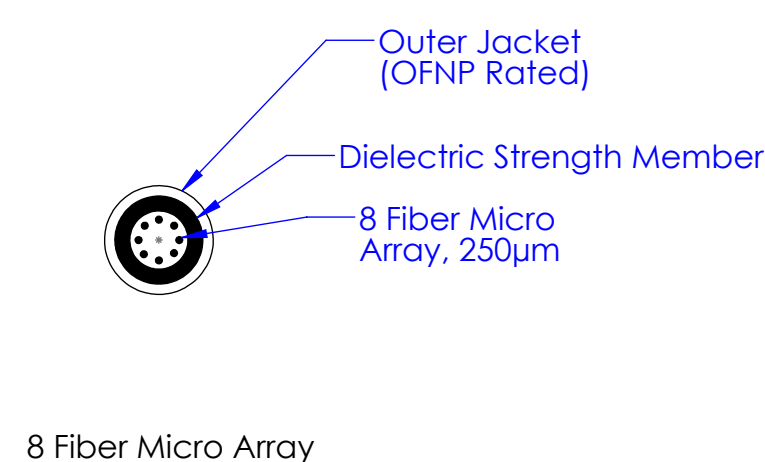
CAMAMC37S5HMM1LLLM

UNIT OF MEASURE
LENGTH

CONNECTION TABLE 8F
(acclAIM to acclAIM)

End A			End B		
Pos	Duplex Pos	Tx/Rx Pos	Pos	Duplex Pos	Tx/Rx Pos
1	B	Tx1	1	B	Rx1
2	A	Rx1	2	A	Tx1
3	B	Tx2	3	B	Rx2
4	A	Rx2	4	A	Tx2
5	B	Tx3	5	B	Rx3
6	A	Rx3	6	A	Tx3
7	B	Tx4	7	B	Rx4
8	A	Rx4	8	A	Tx4

CABLE CONSTRUCTION (NTS)



Fiber Specifications	
Fiber Class	OM5 Multimode, 50µm
Primary Supplier	-
Fiber Brand	-
IEC 60793-2-50 / 60793-2-10 Type	A1-OM5b
TIA Compliance	492AAAF (Formerly 492AAAE)
ISO/IEC 11801-1 Cabled Fiber Performance Category	OM5
ITU-T Compliance	G.651.1

*** NOTICE ***
THIS DOCUMENT CONTAINS CONFIDENTIAL AND/OR PROPRIETARY INFORMATION INTENDED FOR USE ONLY BY THE INDIVIDUAL(S) PROVIDED.
NEITHER THIS DOCUMENT, NOR ANY INFORMATION CONTAINED HEREIN, MAY BE COPIED, DISTRIBUTED, DISCLOSED TO ANY THIRD PARTY OR USED IN ANY MANNER OTHER THAN FOR WHICH IT HAS BEEN PROVIDED, WITHOUT THE PRIOR WRITTEN CONSENT OF LEGRAND, INC.
MANUFACTURING RELEASE, PRODUCT SPECIFICATIONS AND STANDARDS ARE SUBJECT TO CHANGE WITHOUT NOTICE.



TITLE
TRUNK ASSY, acclAIM-acclAIM, MM/OM5, CORE, 8 FIBER

DWN	NAME	DATE	SCALE	SHEET
CHK	LWJ	4/12/2022	2:1	1 OF 1
APPR	RJG	4/12/2022		

SIZE / CAD FILE
D CAMAMC37S5HMM1LLLMC

DWG NO
CAMAMC37S5HMM1LLM

REV
00