

NOTES: UNLESS OTHERWISE SPECIFIED

- EXTERNAL PORTS OF THE ADAPTERS HAVE PROTECTED DUST CAPS INSTALLED.
- ALL DIMENSIONS ARE IN INCHES.

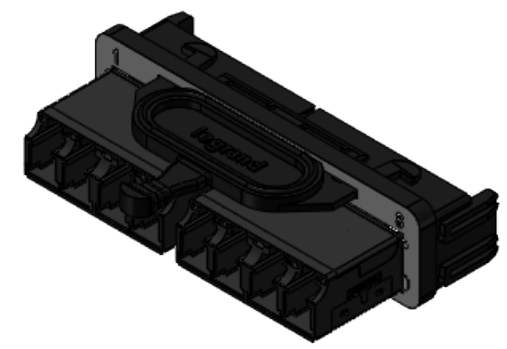
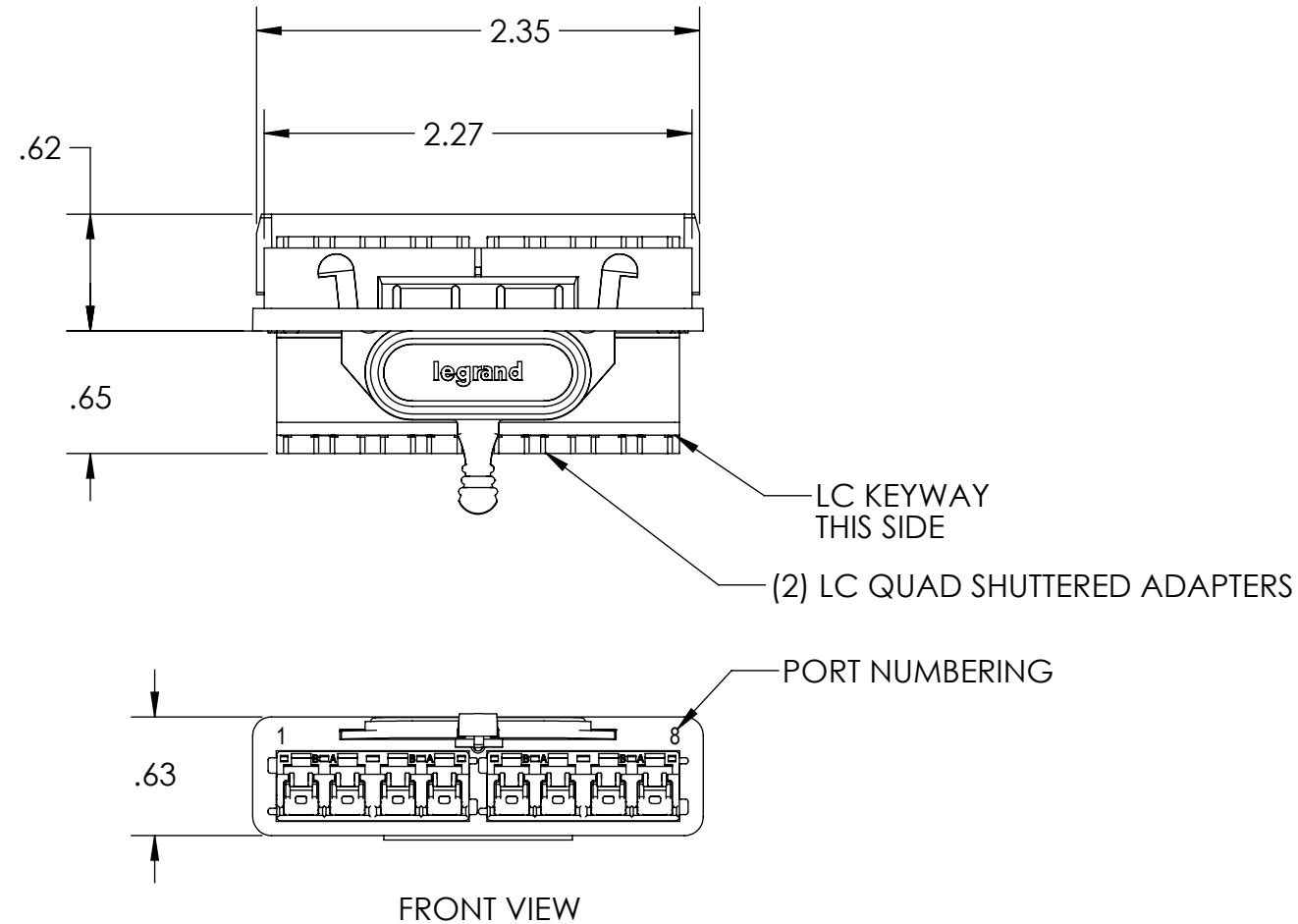
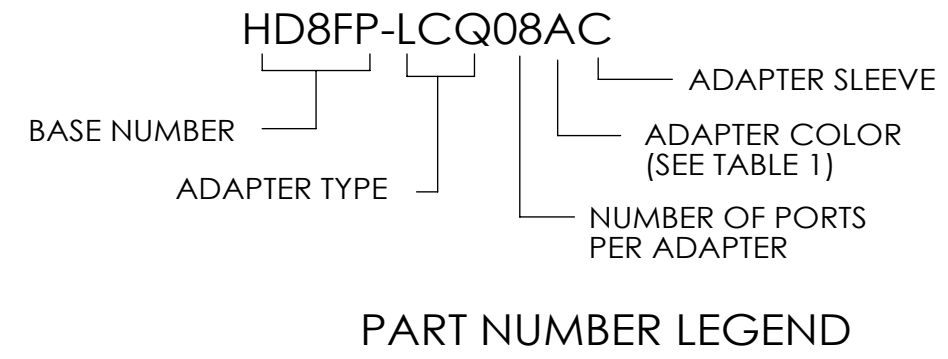


TABLE 1	
"A"	ADAPTER COLOR
A	BLUE
C	GREEN
L	AQUA
Q	LIME



*** NOTICE ***
 THIS DOCUMENT CONTAINS CONFIDENTIAL AND/OR PROPRIETARY INFORMATION INTENDED FOR USE ONLY BY THE INDIVIDUAL(S) PROVIDED. NEITHER THIS DOCUMENT, NOR ANY INFORMATION CONTAINED HEREIN, MAY BE COPIED, DISTRIBUTED, DISCLOSED TO ANY THIRD PARTY OR USED IN ANY MANNER OTHER THAN FOR WHICH IT HAS BEEN PROVIDED, WITHOUT THE PRIOR WRITTEN CONSENT OF LEGRAND

legrand® WWW.LEGRAND.US

TITLE
 HIGH DENSITY ADAPTER ASSY, 1/2 'U', BASE-8, LC

	NAME	DATE	SIZE	CAD FILE	DWG NO	REV
DWN	NR	5/10/2017	B	HD8FP-LCQ08ACC	HD8FP-LCQ08AC	03
CHK	RJG	5/10/2017	SCALE 1:1		SHEET 1 OF 1	
APPR	RH	6/14/2017				