

ASSEMBLY

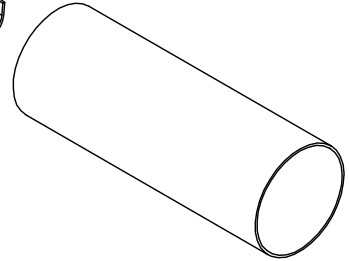
DESIGNATION STRIP

JAK-PAK TOP

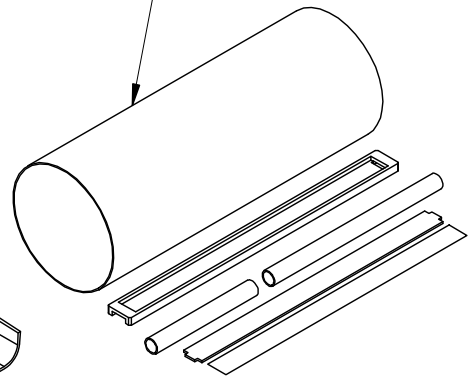
6 PORT MODULE

JAK-PAK BOTTOM

ASSEMBLY SCREWS



SLEEVING KIT



"T568A"
LABEL

NOTE:
MOUNTING HARDWARE NOT INCLUDED.

*** NOTICE ***

THIS DOCUMENT CONTAINS CONFIDENTIAL AND/OR PROPRIETARY INFORMATION INTENDED FOR USE ONLY BY THE INDIVIDUAL(S) SPECIFIED HEREIN AND ONLY FOR THE PURPOSE(S) PROVIDED. NEITHER THIS DOCUMENT, NOR ANY INFORMATION CONTAINED HEREIN, MAY BE COPIED, DISTRIBUTED, DISCLOSED TO ANY THIRD PARTY OR USED IN ANY MANNER OTHER THAN FOR WHICH IT HAS BEEN PROVIDED, WITHOUT THE PRIOR WRITTEN CONSENT OF ORTRONICS, INC.



NEW LONDON, CT 06320
(860) 445-3800

DWN.BY:	S. LEVESQUE	DATE	01/13/03
CHK.BY:	J. LUCY		11/16/04
APP.BY:	M. MARTICH		11/16/04

TITLE			
JAK-PAK CLARITY 5E, 6 PORT MULTI ACCESS OUTLET FILED TERM KIT, T568A/B			
SIZE	CAD FILE	PART NUMBER	REV
A	JP5E6UC	OR-JP5E6U	04
SCALE	REL DATE	SHEET	
NONE	03/26/09	1 OF 1	