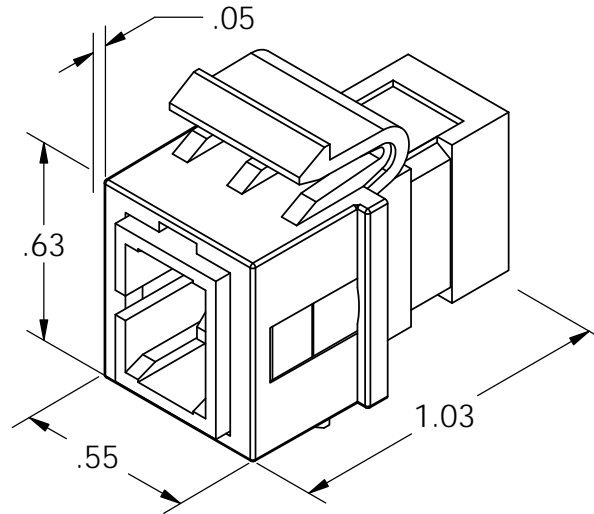
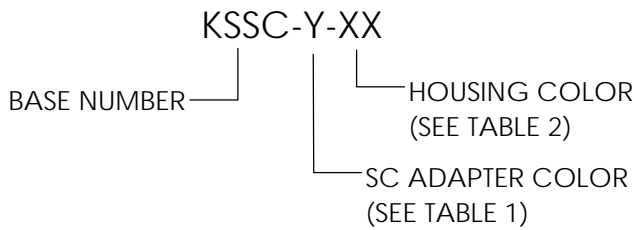


NOTES:

1. DUSTCAPS PROVIDED INSTALLED.
2. DIMENSIONS ARE IN INCHES.



ADAPTER COLOR	PART NUMBER - "Y"
BLUE	A
ORANGE	B
GREEN	C
BROWN	D
SLATE	E
WHITE	F
RED	G
BLACK	H
YELLOW	I
VIOLET	J
ROSE	K
AQUA	L
BEIGE	M



PART NUMBER LEGEND

HOUSING COLOR	- "XX"
FOG WHITE	NONE
BLACK	00
IVORY	13 *
BLUE	36
RED	42
WM WHITE	88 *
WM IVORY	99
ORANGE	43 *
YELLOW	44 *
GREEN	45 *
WM GRAY	78 *

* CONTACT CSR FOR MINIMUM QTY ORDER

<p>*** NOTICE ***</p> <p>THIS DOCUMENT CONTAINS CONFIDENTIAL AND/OR PROPRIETARY INFORMATION INTENDED FOR USE ONLY BY THE INDIVIDUAL(S) PROVIDED. NEITHER THIS DOCUMENT, NOR ANY INFORMATION CONTAINED HEREIN, MAY BE COPIED, DISTRIBUTED, DISCLOSED TO ANY THIRD PARTY OR USED IN ANY MANNER OTHER THAN FOR WHICH IT HAS BEEN PROVIDED, WITHOUT THE PRIOR WRITTEN CONSENT OF LEGRAND, INC. MANUFACTURING RELEASE, PRODUCT SPECIFICATIONS AND STANDARDS ARE SUBJECT TO CHANGE WITHOUT NOTICE.</p>					WWW.LEGRAND.US	
			<p>TITLE</p> <p>TechChoice, KEYSTONE SC FIBER MODULE, CERAMIC</p>			
	NAME	DATE	SIZE	CAD FILE	DWG NO	REV
	DWN	RYNASKI	A	KSSCYXXC	KSSC-Y-XX	01
	CHK	JIM LUCY	SCALE 2:1		SHEET 1 OF 1	
	APPR	A. MURANO				