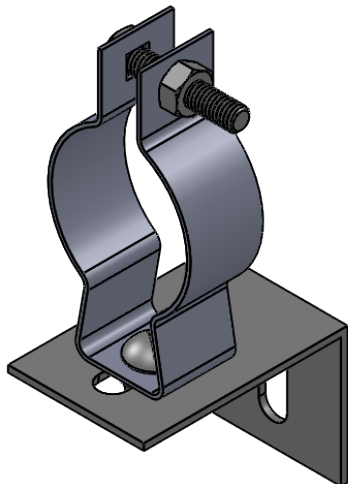




Cablofil Ladder Tray Accessory 0228 Conduit Bracket Clamp



Kit Includes hardware
for tray attachment

Comes With:

- x1 Clamp Bracket
- x2 1/4" Flanged Hex Nut
- x2 1/4" Flat Round Washer
- x2 1/4" x 3/4" Screw
- x1 Conduit Clamp

Material: Electro-Galvanized Steel (Z),
Stainless Steel (T)

Hardware Options: Zinc-Plated Steel (ZN),
304 Stainless Steel (S4)

"Copyright LNCA, Inc. Drawings are proprietary
and may not be copied or otherwise duplicated
or used without express written permission."

CABCS1240

Material Options		Z	T	
PROD. NO.	CONDUIT DIA.	EMT DIA.		
0228-05	3/8"-1/2"	1/2"		
0228-06	3/4"	3/4"		
0228-10	1"	1"		
0228-11	1 1/4"	1 1/4"		
0228-12	1 1/2"	1 1/2"		
0228-20	2"	2"		
0228-25	2 1/2"	2 1/2"		
0228-30	3"	3"		
0228-35	3.5"	3.5"		
0228-40	4"	4"		
FASTENER OPTIONS			ZN	S4
CATALOG NUMBERING EXAMPLE:				
Material		Fasteners		
T		- 0228-05 - S4		