

0-10V TO PHASE ADAPTIVE CONVERTER

BF-SDS10V-AST

Dims forward and reverse phase fixtures with 0-10V input

Automatically detects and adjusts output dimming curve to provide optimal performance



Plenum Rated

Rated for 120-277V



DESCRIPTION

The BF-SDS10V-AST takes a 0-10V dimming signal and a fixed line voltage input and converts it to a phase-adaptive dimmed output for up to 1300W for a 277V load and 750W for a 120V load. The dimming type used (forward phase or reverse phase) is automatically selected by the BF-SDS10V-AST for optimal dimming performance. The BF-SDS10V-AST has a built-in slotted mounting bracket for surface mounting and is rated for install in plenum spaces.

OPERATION

The BF-SDS10V-AST supports 120V or 277V loads and automatically senses both input voltage and load dimming type, eliminating any need for configuration of the device. As the 0-10V control input increases/decreases in voltage, the BF-SDS10V-AST will adjust the phase dimmed signal to follow.

APPLICATIONS

The BF-SDS10V-AST is used with 0-10V control devices like LMRC room controllers to dim forward and reverse phase fixtures. Multi-zone 0-10V room controllers like the LMRC-112 can support multiple load types by converting one output to phase dimming with the BF-SDS10V-AST, and leaving the other unconverted to control 0-10V loads. The BF-SDS10V-AST is mounted via the built-in hardware bracket. Two six-foot sections of flex conduit are built-in for providing power in and out of the device. 0-10V is delivered to the push-fit input terminals.

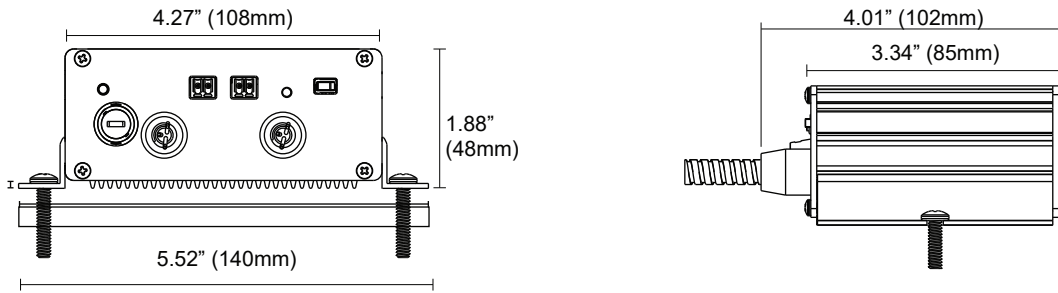
SPECIFICATIONS

- Voltage: 120-277VAC; 60Hz
- Power: 750W at 120VAC, 1300W at 277VAC
- Control: 0-10V Input
- 24W minimum load
- Standby Power:
 - 0.75W@120V
 - 1.87W@270V
- Housing: Aluminum
- Operating Temperature: -40°F to 140°F (-40°C to 60°C)
- Weight: 1.7 lbs (.77 kg)
- Environment: Up to 50% RH
- Mounting: Screws or through-hole hardware via built-in bracket
- The product meets the materials restrictions of RoHS
- Plenum Rated
- ETL listed
- Five Year Warranty

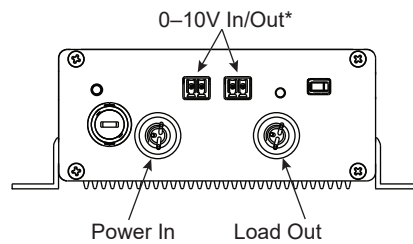
PROJECT

LOCATION/
TYPE

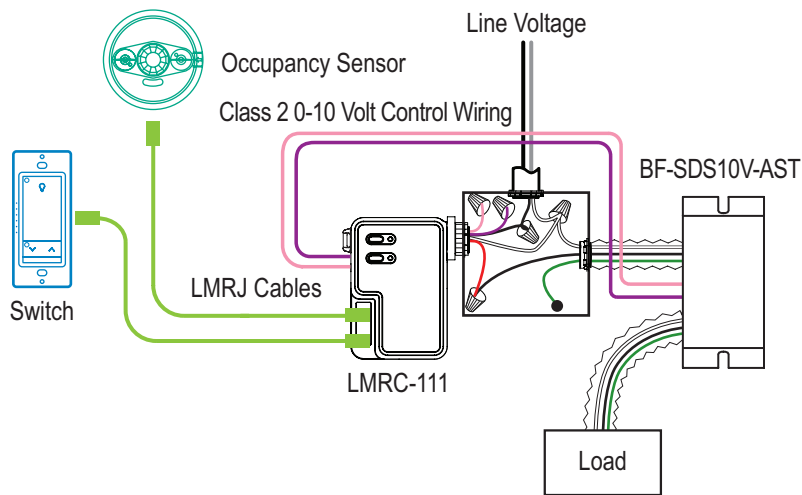
DIMENSIONS



CONNECTIONS



* Either 0-10V port can be used as a control input. The unused port can be used as an output to control one additional BF-SDS10V-AST module.



Example with a Wired Room Controller and Class 2 Dimming

ORDERING INFORMATION

Catalog #	Description
BF-SDS10V-AST	0-10V to Phase Adaptive Converter