

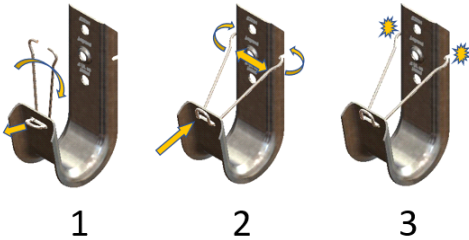


CJ12HPBC

3/4" J-Hook with Pressed Beam Clamp
Jaw Opening up to 1/2"

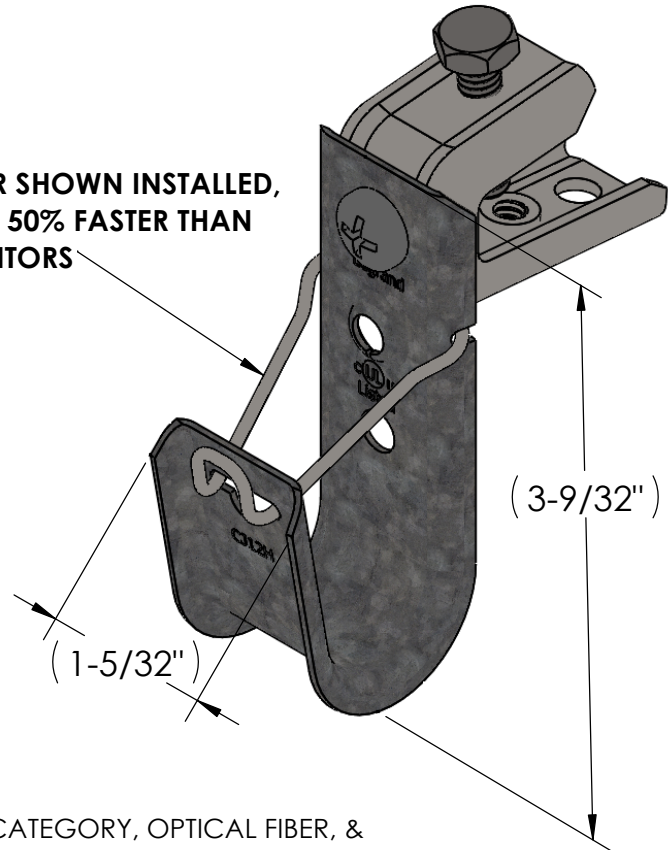


RETAINER CAN ALSO BE
POSITIONED AS SHOWN
DURING CABLE INSTALLATION



RETAINER INSTALLATION...
AS EASY AS 1-2-3

RETAINER SHOWN INSTALLED,
INSTALLS 50% FASTER THAN
COMPETITORS



- CABLE RETAINER INCLUDED
- 32% ADDITIONAL CABLE SURFACE AREA
- COMPLIES WITH NEC
- MEETS TIA568-E & 569-E
- WIDE BASE DESIGN FOR OPTIMUM SUPPORT
- SMOOTH BEVELED EDGES, PROVIDING STANDARD COMPLIANT BEND RADII
- RoHS compliant
- USED FOR COMMUNICATON: CATEGORY, NON-CATEGORY, OPTICAL FIBER, & COAX CABLES
- MAY ALSO SUPPORT INNERDUCT, TUBING, & CONDUIT
- COMMON CABLE TYPES (NOMINAL CAPACITY): Cat.5e ϕ .19 (34), Cat.6 ϕ .23 (23), Cat 6A ϕ .30 (13)
- MAY CONTAIN BRANCH CIRCUITS UP TO 600V: ARMORED, METAL-CLAD, NON-METALLIC SHEATHED, POWER & CONTROL, AND MODULAR METALLIC & NON-METALLIC CABLE SYSTEMS (pre-fabricated wire harnesses)

Material: Steel
Finish: Pre-Galvanized
Load Test: 65 lbs
FILL Area: 1.38 in²/ 892mm²
Weight: 10.0 lbs/50 pcs per box

Hook Opening: 3/4"
Height: 3.28"
Width: 1.15"
Hole: ϕ .26"

"Copyright LNA, Inc. Drawings are proprietary and may not be copied or otherwise duplicated or used without express written permission."

CABCS1406



31TS

Legrand
 8319 State Rt. 4
 Mascoutah, IL 62258 USA
 800-658-4641
 618-566-3250
 Fax 618-566-4978
www.legrand.us/cablofil