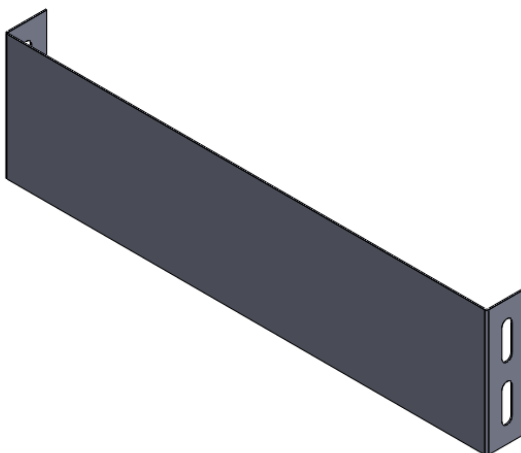
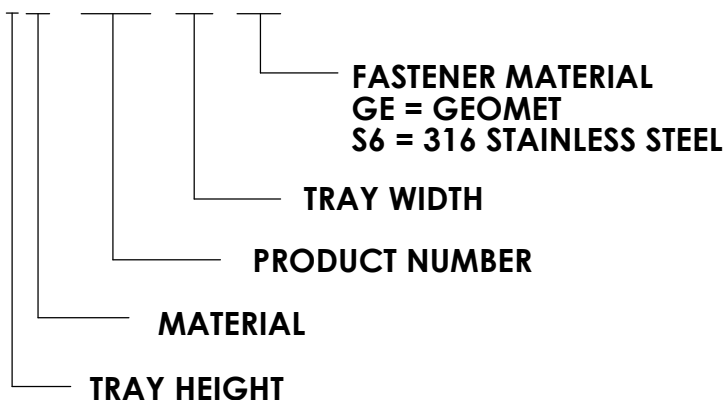




# PW Steel Ladder Cable Tray Blind End Plate



**SAMPLE PART NO.  
6M-0402-12-GE**



Material: Mill Galvanized Steel (M)  
HDGAF Steel (G)  
Stainless Steel (T)

Fitting Height: 4, 5, 6, 7"

Includes 4 x 3/8" Nuts and Bolts

"Copyright LNCA, Inc. Drawings are proprietary and may not be copied or otherwise duplicated or used without express written permission."

CABCS1530

Legrand/Cablofil  
8319 State Rt. 4  
Mascoutah, IL 62258 USA  
800-658-4641  
Fax 618-566-4978  
www.legrand.us/cablofil