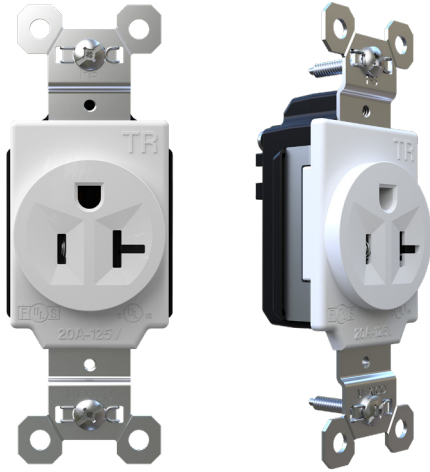


PlugTail Single Receptacles

PT5261, PT5361, PTTR5361, PTTR5361

Factory-terminated devices and connectors mean that device installation is the same regardless of skill level of the installer. The UL-Listed connectors are keyed to ensure proper wiring installation into each receptacle. The connector simply snaps into the back of the device — no fussing with wires, stripping, or tightening screws. PlugTail devices are finger safe with no exposed terminals, so taping is not required.

Now device installation is a snap!



Features & Benefits

- PlugTail Devices **install up to 5 times faster** than traditional devices.
- **No exposed terminals** create a finger safe application before, during, and after installation.
- Built-in connector features large **brass terminal blades** to ensure consistent, reliable electrical connections.
- Ultrasonically welded polycarbonate connector housing secures terminations and conductors in a **UL Listed**, finger safe housing.
- Corrosion-resistant, plated steel strap locked in to face and back body to resist pulling away from face/body assembly.
- **Impact-resistant** nylon face and thermoplastic back body.
- Tri-drive terminal and mounting screws.
- **Auto-ground clip** assures positive ground.

Vertical Markets

- **Commercial**
- **Retail**
- **Multi Dwelling**
- **Financial**
- **Office**
- **Healthcare**
- **Education**
- **Facility**

3rd Party Compliance



cULus Listed Wiring Assembly: File E140596-20230531.
Standard UL498 Attachment Plugs and Receptacles
Federal Specification WC596. Standard CSA 22.2 No. 42 General Use Receptacles

Technical Information

Performance

Electrical

Dielectric Withstand Voltage	Withstands 1500V minimum
Frequency	60 Hz
Maximum Working Voltage	125VAC
Voltage Range	102-132VAC

Mechanical

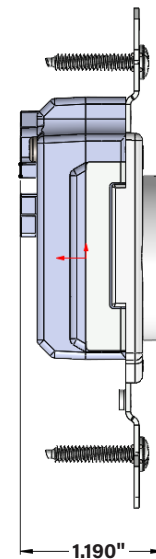
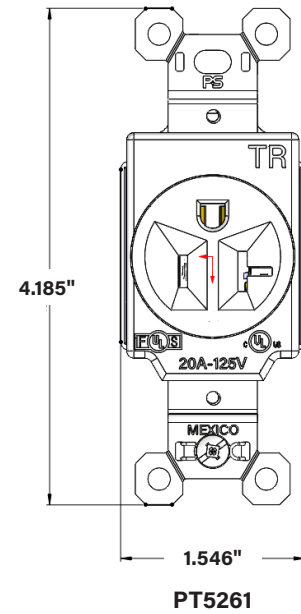
Terminal Accomodation	<i>Use only with P&S PlugTail series connector</i>
Product Identification	Ratings are permanent part of device

Environmental

Operating Temperature	-35°C to +66°C
Maximum Humidity	95%
Flammability	UL94 V0

Material Specs

Face	Nylon
Body	Nylon
Contacts	.03" Brass (.8)
Mounting Strap	Galvanized Steel
Auto-Ground Clip	Steel
**Tamper-Resistant Shutter	Thermoplastic

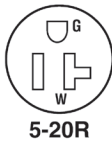
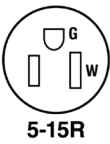


Warranty

1 Year

Ordering Information (continued)

Catalog No./Item	Description	Ratings	Colors	NEMA Config
PT5261*	PlugTail Heavy Duty Spec Grade Single Receptacles 15 Amp	15A 125V	I, W, -, BK, LA RED, GRY	5-15R
PT5361*	PlugTail Heavy Duty Spec Grade Single Receptacles 20 Amp	20A 125V	I, W, BK, LA RED, GRY	5-20R
PTTR5261*	PlugTail Heavy Duty Spec Grade Tamper-Resistant Single Receptacles 15 Amp	15A 125V	I, W, GRY, LA RED, GRY	5-15R
PTTR5361*	PlugTail Heavy Duty Spec Grade Tamper-Resistant Single Receptacles 20 Amp	20A 125V	I, W, GRY, LA RED, GRY	5-20R



***Color Designation**

I	Ivory	GRY	Gray	RED	Red
W	White	BK	Black	LA	Light Almond
-	Brown				

All brand and product names referenced in this document are registered trademarks or trademarks of their respective holders.



Legrand, North America
 60 Woodlawn Street
 West Hartford, CT 06110
 1.877.BY.LEGRAND (295.3472)
 www.legrand.us

Canada
 905.738.9195
 www.legrand.ca

FOLLOW US

