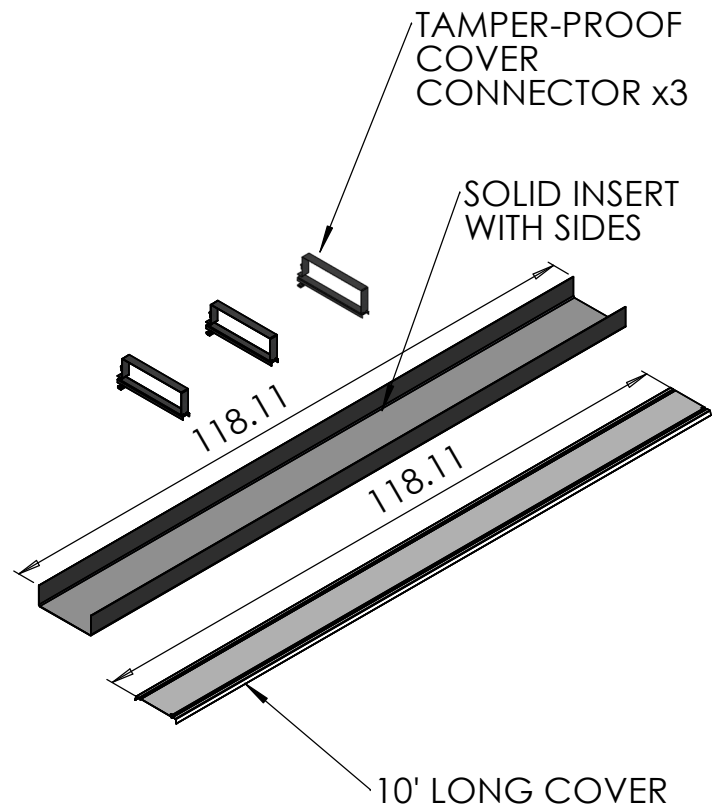




Cablofil Wire Mesh Cable Tray

Wire Mesh Security Kit **SEC KIT**

PART NUMBER	CORRESPONDING TRAY PART	WEIGHT (LBS)
SECKIT54/50xx	CF54/50xx	12.97
SECKIT54/100xx	CF54/100xx	17.92
SECKIT54/150xx	CF54/150xx	22.87
SECKIT54/200xx	CF54/200xx	27.82
SECKIT54/300xx	CF54/300xx	37.75
SECKIT54/450xx	CF54/450xx	58.33
SECKIT54/500xx	CF54/500xx	63.81
SECKIT54/600xx	CF54/600xx	74.76
SECKIT105/100xx	CF105/100xx	26.31
SECKIT105/150xx	CF105/150xx	31.64
SECKIT105/200xx	CF105/200xx	37.00
SECKIT105/300xx	CF105/300xx	47.77
SECKIT105/450xx	CF105/450xx	65.76
SECKIT105/500xx	CF105/500xx	71.49
SECKIT105/600xx	CF105/600xx	80.87
SECKIT105/750xx	CF105/750xx	103.62
SECKIT105/900xx	CF105/900xx	123.69
SECKIT150/150xx	CF150/150xx	37.49
SECKIT150/200xx	CF150/200xx	49.16
SECKIT150/300xx	CF150/300xx	53.29
SECKIT150/450xx	CF150/450xx	70.80
SECKIT150/500xx	CF150/500xx	78.10
SECKIT150/600xx	CF150/600xx	87.59
SECKIT150/750xx	CF150/750xx	113.05
SECKIT150/900xx	CF150/900xx	133.57



INSTALLATION:

1. PLACE INSERT INSIDE OF THE MESH TRAY
2. REST COVER ON THE TOP WIRES OF THE TRAY
3. PLACE CONNECTOR AROUND THE ASSEMBLY AND TIGHTEN DOWN WITH THE INCLUDED TAMPER RESISTANT SCREWS

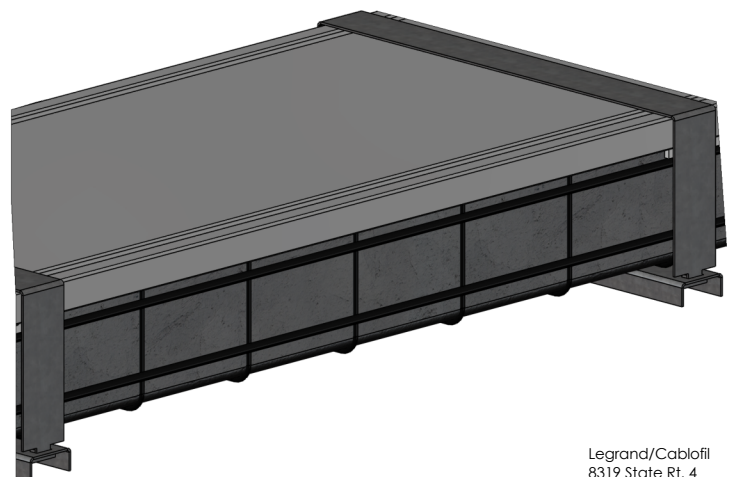
FINISH: PG (Pre-Galvanized)
BL (Black)

SEC KIT CAN BE USED IN PLENUM AREAS PER NEC 300.22(C)(2)

"Copyright LNCA, Inc. Drawings are proprietary and may not be copied or otherwise duplicated or used without express written permission."

CABCS0188.C

TRAY SOLD SEPARATELY



Legrand/Cablofil
8319 State Rt. 4
Mascoutah, IL 62258 USA
800-658-4641
Fax 618-566-4978
www.legrand.us/cablofil