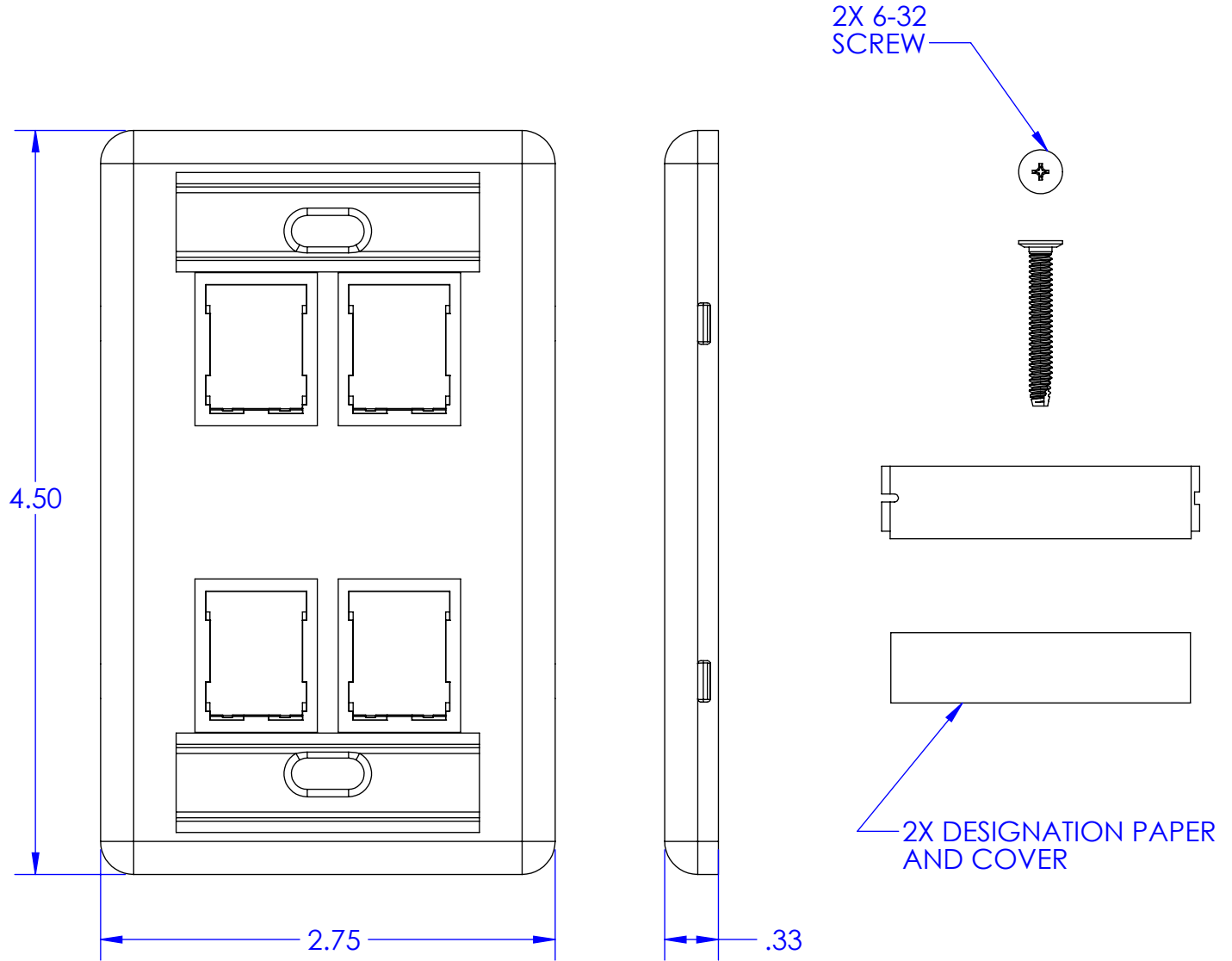


NOTES:  
 1. ALL DIMENSIONS ARE IN INCHES.



\*\*\* NOTICE \*\*\*  
 THIS DOCUMENT CONTAINS CONFIDENTIAL AND/OR PROPRIETARY INFORMATION INTENDED FOR USE ONLY BY THE INDIVIDUAL(S) PROVIDED. NEITHER THIS DOCUMENT, NOR ANY INFORMATION CONTAINED HEREIN, MAY BE COPIED, DISTRIBUTED, DISCLOSED TO ANY THIRD PARTY OR USED IN ANY MANNER OTHER THAN FOR WHICH IT HAS BEEN PROVIDED, WITHOUT THE PRIOR WRITTEN CONSENT OF LEGRAND. MANUFACTURING RELEASE. PRODUCT SPECIFICATIONS AND STANDARDS ARE SUBJECT TO CHANGE WITHOUT NOTICE.



WWW.LEGRAND.US

TITLE  
 HDJ, SS PLATE, 1 GANG, 4 PORT ASSEMBLY

	NAME	DATE	SIZE	CAD FILE	DWG NO	REV
DWN	KL	06/13/2024	A	403SHDJ14C	403SHDJ14	00
CHK	DP	06/14/2024	SCALE	1:1	SHEET	1 OF 1
APPR	JF	06/19/2024				