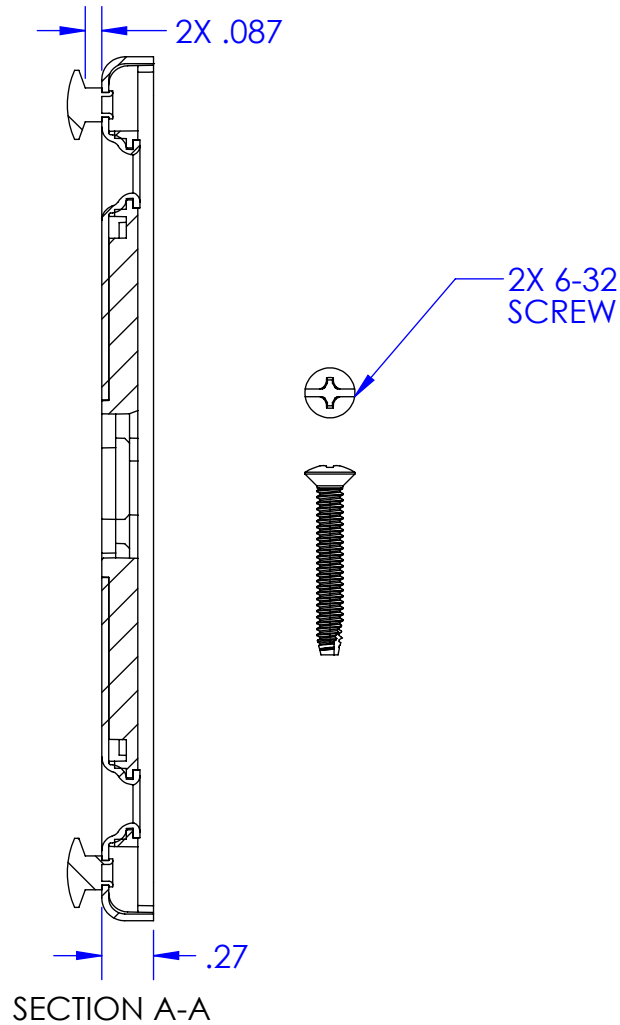
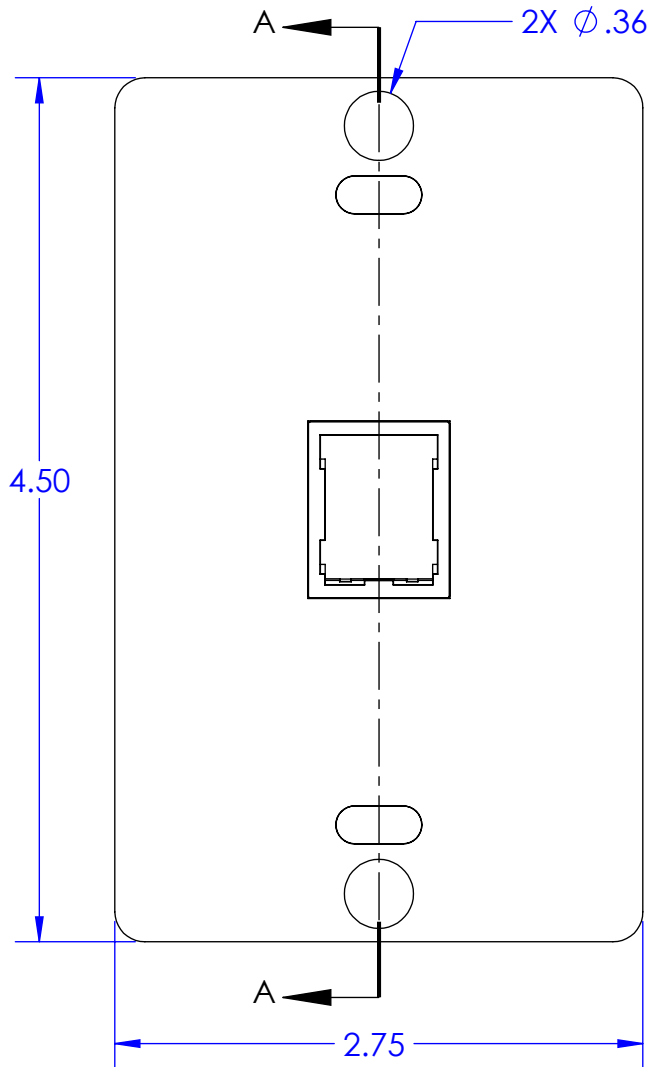


NOTES:

1. ALL DIMENSIONS ARE IN INCHES.
2. PROTECTIVE FILM APPLIED TO THE FACE SIDE ONLY.



\*\*\* NOTICE \*\*\*  
 THIS DOCUMENT CONTAINS CONFIDENTIAL AND/OR PROPRIETARY INFORMATION INTENDED FOR USE ONLY BY THE INDIVIDUAL(S) PROVIDED. NEITHER THIS DOCUMENT, NOR ANY INFORMATION CONTAINED HEREIN, MAY BE COPIED, DISTRIBUTED, DISCLOSED TO ANY THIRD PARTY OR USED IN ANY MANNER OTHER THAN FOR WHICH IT HAS BEEN PROVIDED, WITHOUT THE PRIOR WRITTEN CONSENT OF LEGRAND INC. MANUFACTURING RELEASE. PRODUCT SPECIFICATIONS AND STANDARDS ARE SUBJECT TO CHANGE WITHOUT NOTICE.



WWW.LEGRAND.US

TITLE

SINGLE GANG FACEPLATE, SS, FLUSH MOUNT, HDJ W/ TELEPHONE STUD

	NAME	DATE	SIZE	CAD FILE	DWG NO	REV
DWN	KL	6/13/2024	A	403SHDJ1WPC	403SHDJ1WP	00
CHK	DP	6/14/2024	SCALE	1:1	WEIGHT	
APPR	JF	6/19/2024			SHEET	1 OF 1