

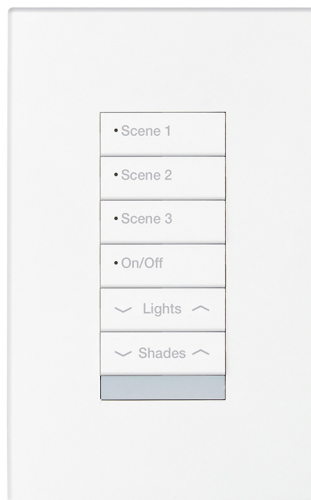
SHADE CONTROL WALLSTATION

EN-WS-SHSC3-GB2-WH / EN-WS-SHSC3-ZB-WH

3 Scene plus separate lighting and shade control configuration

Available in wireless or wired GreenBus options

Surface Mount or Wall Mount to junction box or bracket.



Decora style wallplate support

Custom Button kit with engraving available



DESCRIPTION

The Shade Control Wallstation offers the ability to adjust lighting and shades from a single wallstation — giving the occupant a simplified interaction and experience. The Scene buttons allow for recalling pre-defined lighting levels and shade position based on user aesthetics and requirements.

FEATURES

- Control lighting and shades with a single user interface
- High aesthetic finish with a sleek design
- Dedicated raise/lower buttons enable finer adjustment of lights and shades
- Can be assigned to a single or multiple zones in a space
- Available in both wired and wireless installations — both with simple installation

SPECIFICATIONS

Wireless Wallstations

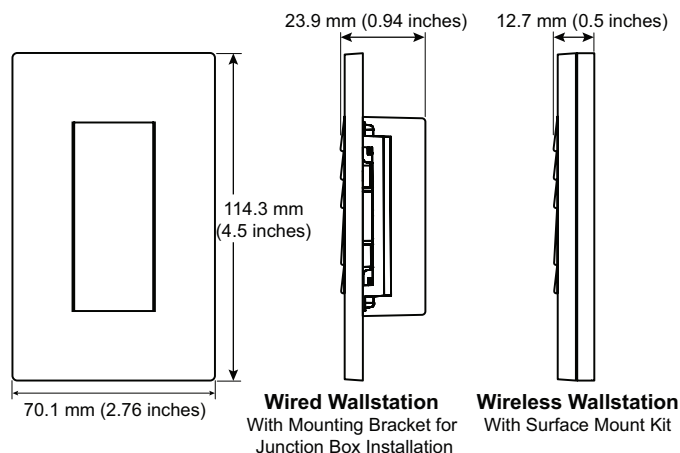
- Power: 2 AA or 4 AAA batteries (depends on mounting)
- Wireless (2.4Ghz) Range: 30ft line-of-sight to repeater device, 15ft through standard wall materials
- Operating Temperature: 14° to 104°F (-10° to 40°C)
- Relative Humidity: 5% to 95%, non-condensing
- Weight: 51 g (1.8 oz)
- Certifications
 - UL/CUL listed under UL916.
 - FCC Part 15/ICES-003
 - CE
 - ROHS Compliant
- Complies with Electromagnetic Compatibility (EMC) Standards: EN 61000-4-2 EN 61000-4-4, EN 61000-4-5
- Environmental Suitability: Rated for dry locations
- 5 year warranty

Wired Wallstations

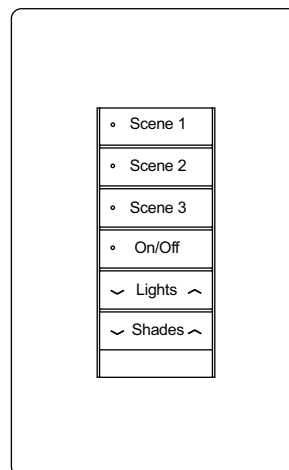
- Voltage: 22.5 VDC, supplied by GreenBus
- Operating Temperature: 14° to 104°F (-10° to 40°C)
- Relative Humidity: 5% to 95%, non-condensing
- Weight: 47 g (1.65 oz)
- Certifications
 - UL/CUL listed under UL916.
 - FCC Part 15/ICES-003
 - ROHS Compliant
- Complies with Electromagnetic Compatibility (EMC) Standards: EN 61000-4-2 EN 61000-4-4, EN 61000-4-5
- Environmental Suitability: Rated for dry locations
- 5 year warranty

PROJECT		LOCATION/ TYPE	
---------	--	-------------------	--

DIMENSIONS

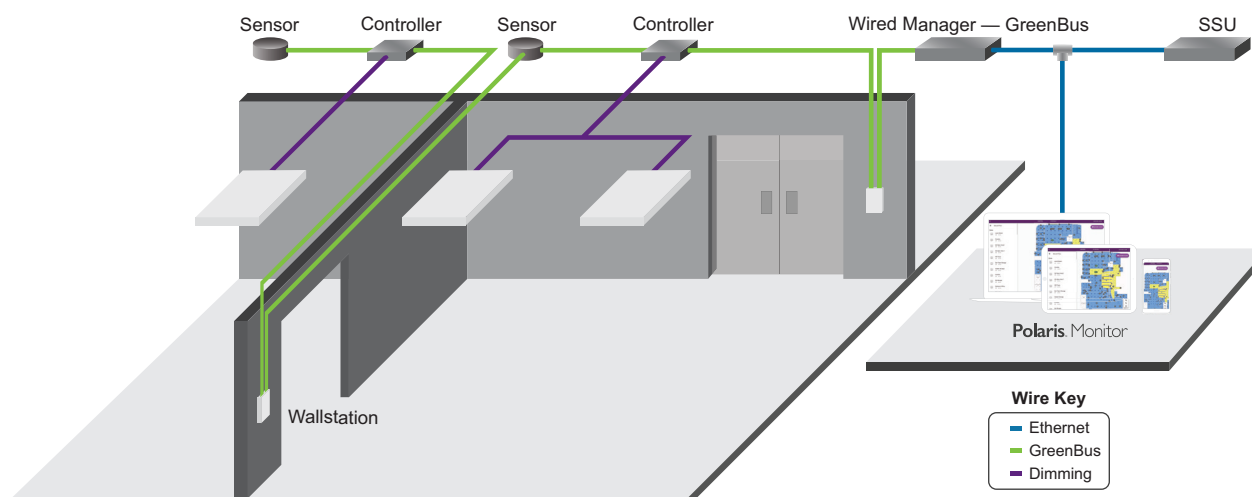


CONFIGURATION

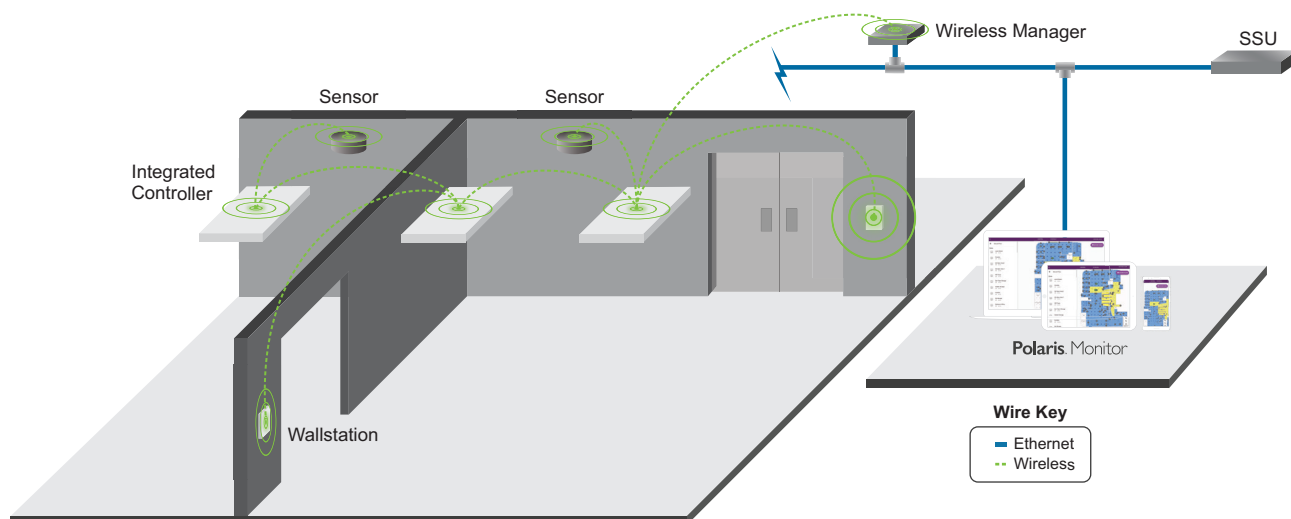


WIRED SYSTEM OVERVIEW

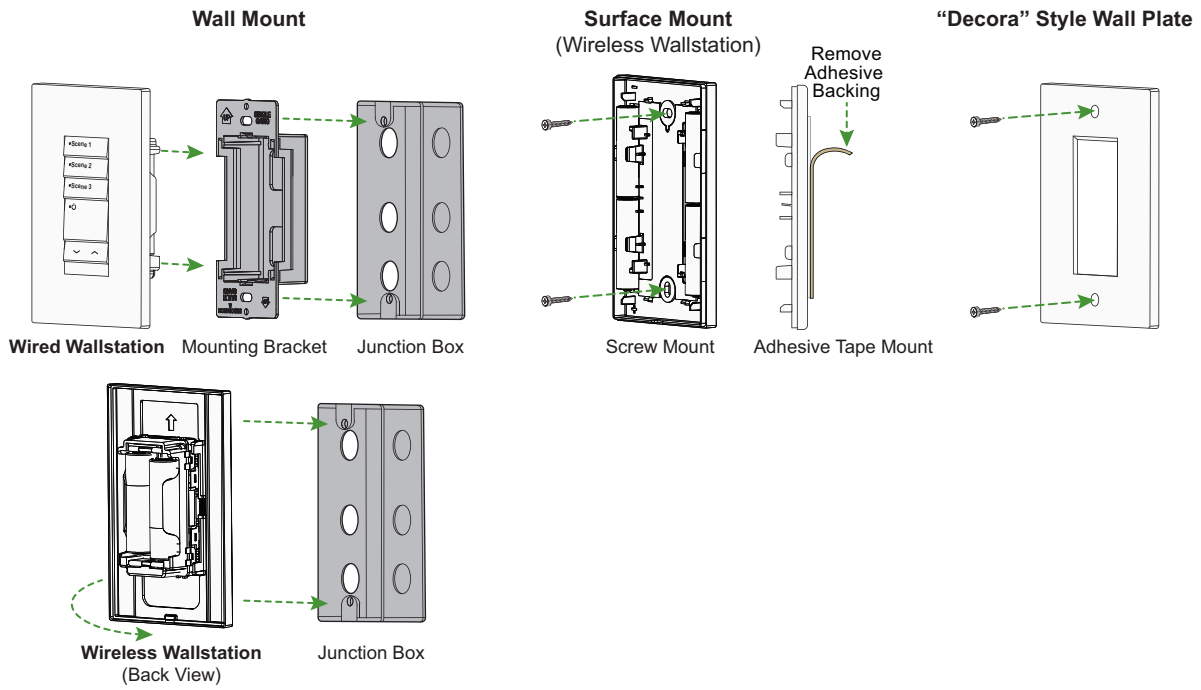
GreenBus technology makes wiring fast and error-free, since it's intuitive to install.



WIRELESS SYSTEM OVERVIEW

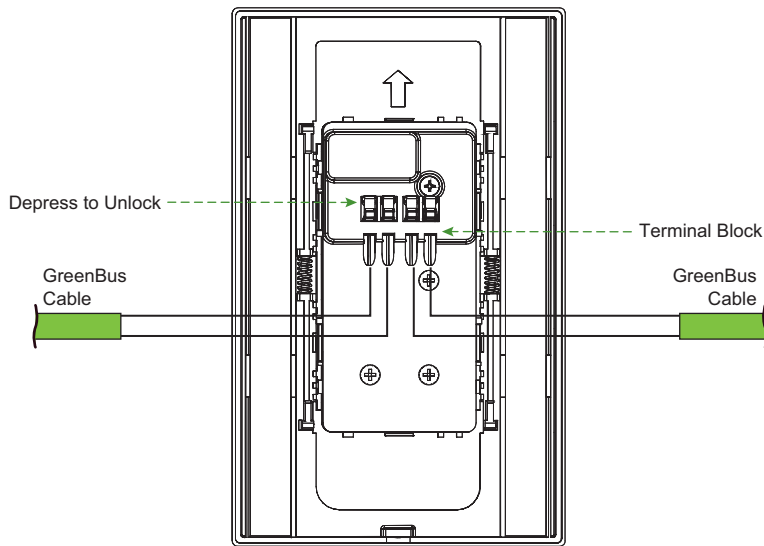


MOUNTING

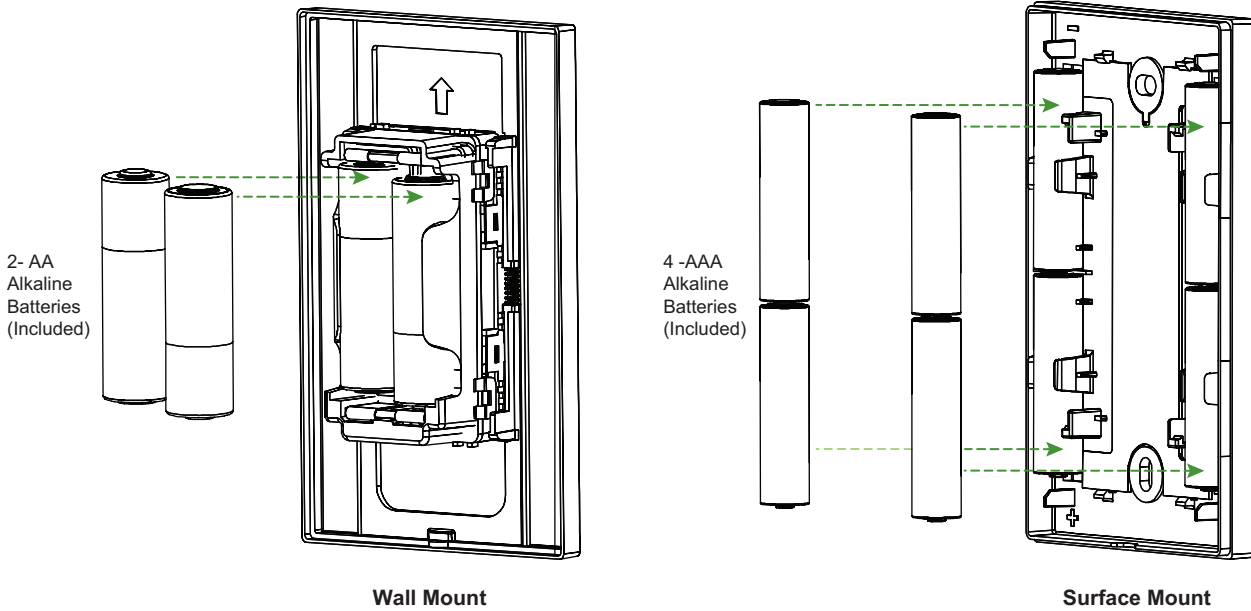


WIRING

GreenBus Wired Wallstation



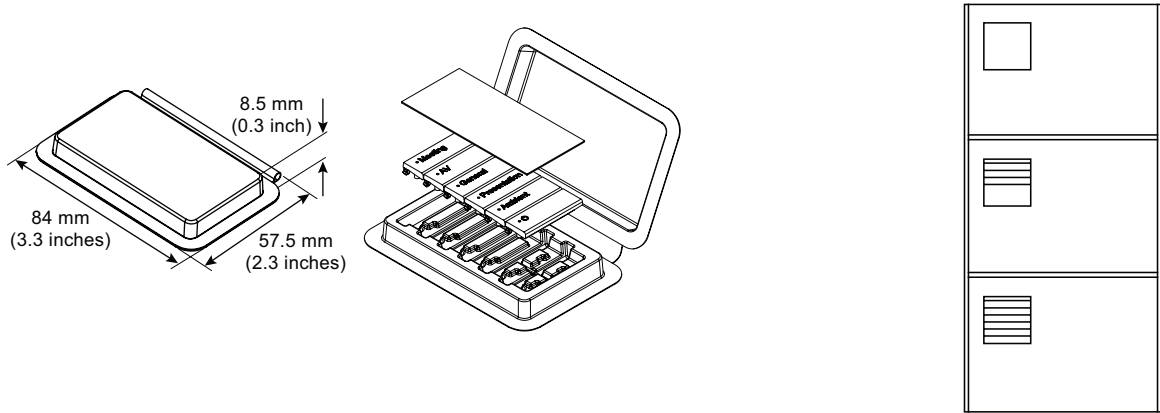
Wireless Wallstation – Battery Operated, No Wiring Required



BUTTON REPLACEMENT KIT

The button kit provides the ability for field replacement. It comes with three scene buttons engraved to indicate shade movement.

NOTE: Custom engraving kits are available. For more information contact your local sales representative.



ORDERING INFORMATION

Catalog #	Color	Description	Communication Network
EN-WS-SHSC3-GB2-WH	White	Wired 3-Button Scene Switch for Shading and Lighting	Wired GreenBus
EN-WS-SHSC3-ZB-WH	White	Wireless 3-Button Scene Switch for Shading and Lighting	Wireless
EN-SMK-ZB-WH	White	Surface Mount Kit for Wireless Wallstations	Wireless
EN-SH-BT01-ZC3-WH	White	SHS Wallstation, 3 Scene Button Kit	N/A

Note: Switches include standard faceplates. Compatible with decorator style faceplates.

080452r6 Rev 10/25