

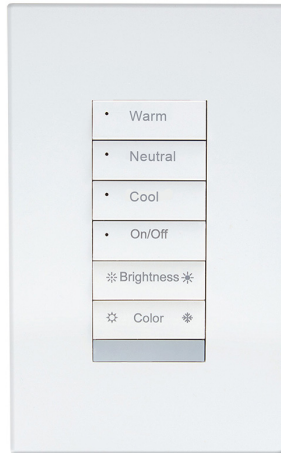
TUNABLE WHITE WALLSTATION

EN-WS-TWSC3-GB2-WH / EN-WS-TWSC3-ZB-WH

3 tunable settings plus
brightness and color
temperature adjustment

Available in wireless or
wired GreenBus options

Surface Mount or Wall
Mount to junction box or
bracket.



Decora style wallplate
support

Custom Button kit with
engraving available



DESCRIPTION

The Tunable-White Wallstation offers the ability to adjust intensity and color temperature from a single wallstation.

The scene buttons come engraved with Warm, Neutral, and Cool making them intuitive for use by occupants.

FEATURES

- High aesthetic finish with a sleek design
- Change the color temperature with a press of a single button on a wallstation
- User-programmable scenes with color temperature ranges of 2700 to 6500 K
- Dedicated raise/lower buttons enable finer adjustment for intensity and color temperature
- Can be assigned to a single or multiple zones in a space
- Available in both wired and wireless installations — both with simple installation

SPECIFICATIONS

Wireless Wallstations

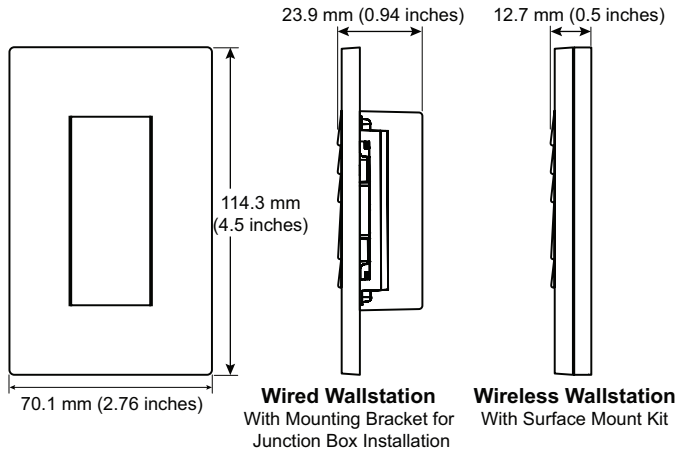
- Power: 2 AA or 4 AAA batteries (depends on mounting)
- Wireless (2.4Ghz) Range: 30ft line-of-sight to repeater device, 15ft through standard wall materials
- Operating Temperature: 14° to 104°F (-10° to 40°C)
- Relative Humidity: 5% to 95%, non-condensing
- Weight: 51 g (1.8 oz)
- Certifications
 - UL/CUL listed under UL916.
 - FCC Part 15/ICES-003
 - CE
 - ROHS Compliant
- Complies with Electromagnetic Compatibility (EMC) Standards: EN 61000-4-2 EN 61000-4-4, EN 61000-4-5
- Environmental Suitability: Rated for dry locations
- 5 year warranty

Wired Wallstations

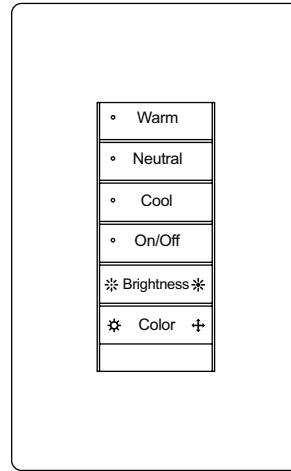
- Voltage: 22.5 VDC, supplied by GreenBus
- Operating Temperature: 14° to 104°F (-10° to 40°C)
- Relative Humidity: 5% to 95%, non-condensing
- Weight: 47 g (1.65 oz)
- Certifications
 - UL/CUL listed under UL916.
 - FCC Part 15/ICES-003
 - ROHS Compliant
- Complies with Electromagnetic Compatibility (EMC) Standards: EN 61000-4-2 EN 61000-4-4, EN 61000-4-5
- Environmental Suitability: Rated for dry locations
- 5 year warranty

PROJECT		LOCATION/ TYPE	
---------	--	-------------------	--

DIMENSIONS



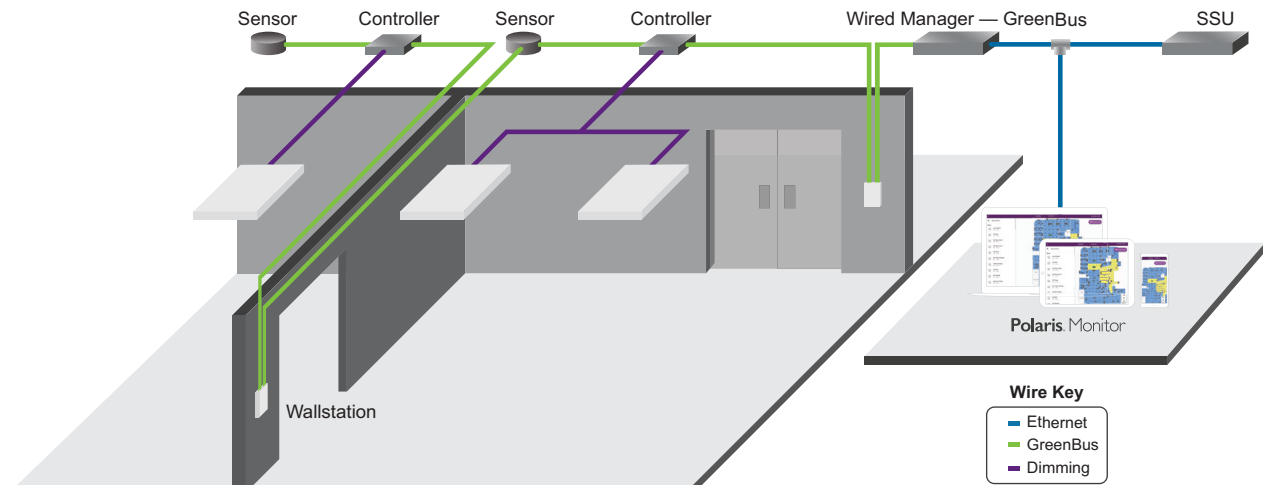
CONFIGURATION



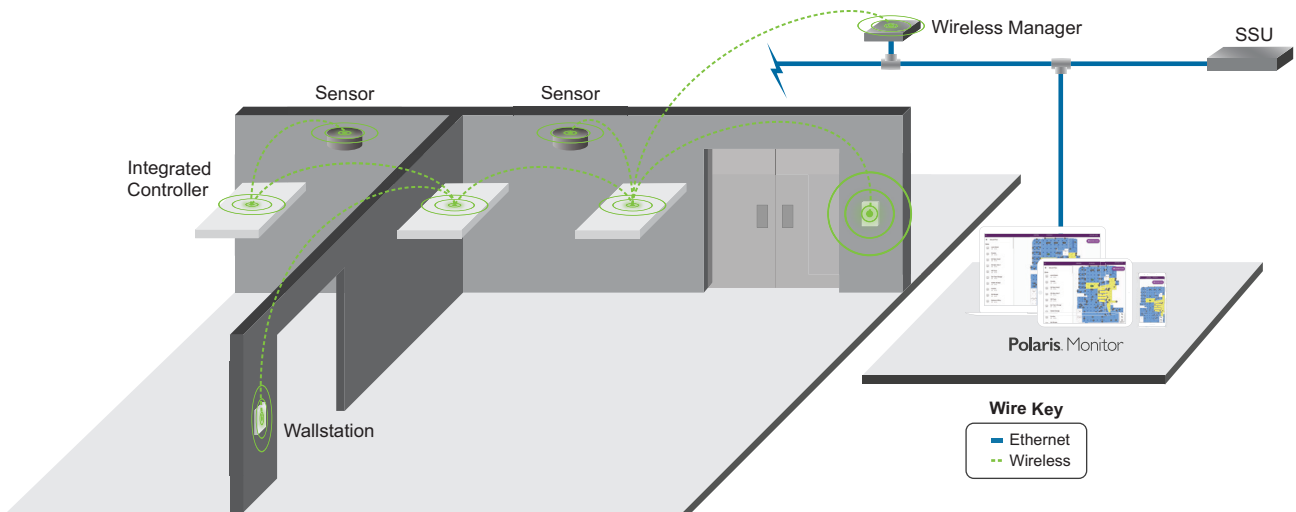
6 Button

WIRED SYSTEM OVERVIEW

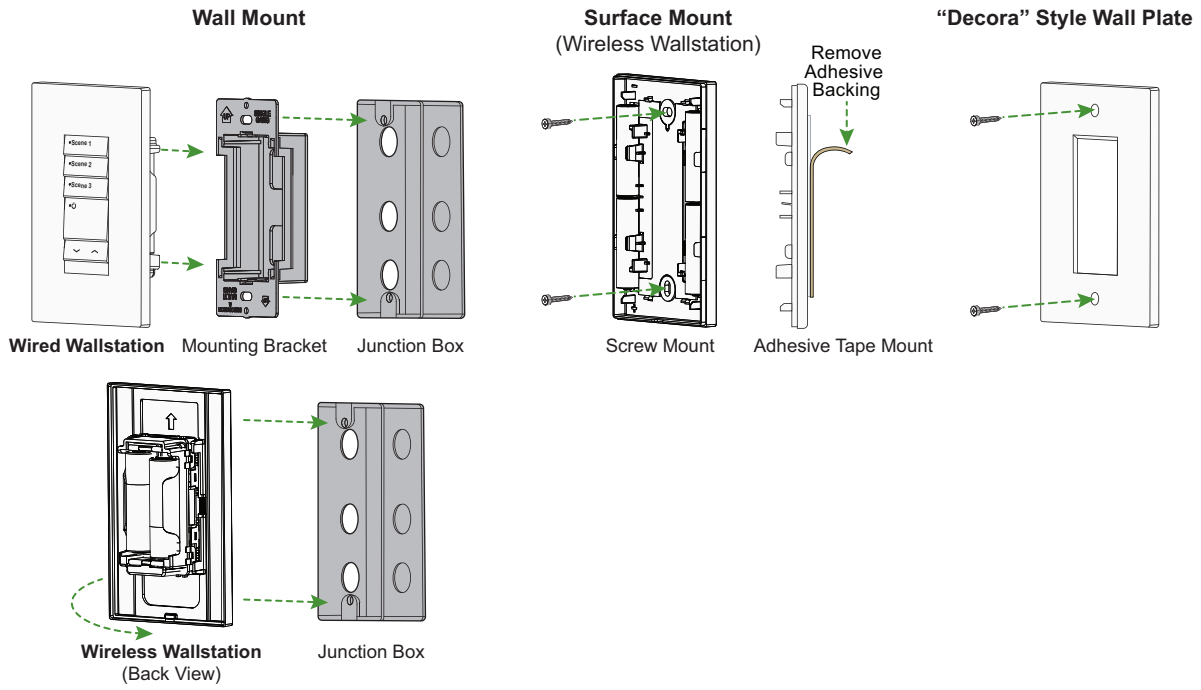
GreenBus technology makes wiring fast and error-free, since it's intuitive to install.



WIRELESS SYSTEM OVERVIEW

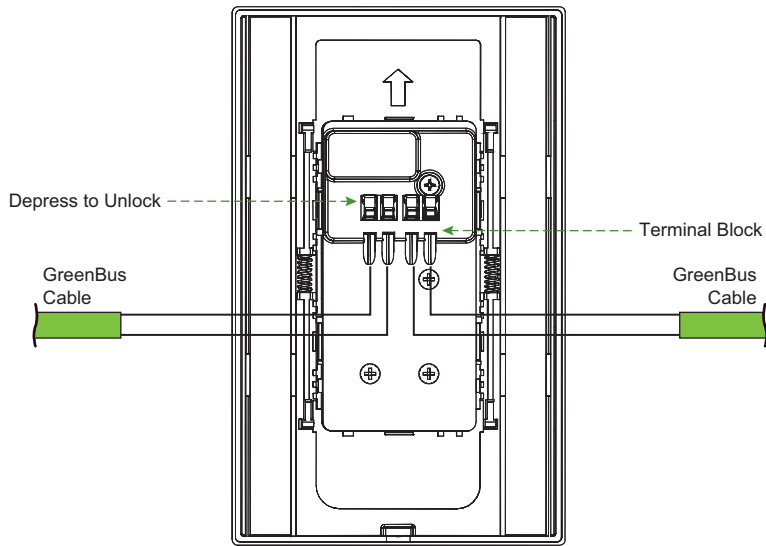


MOUNTING

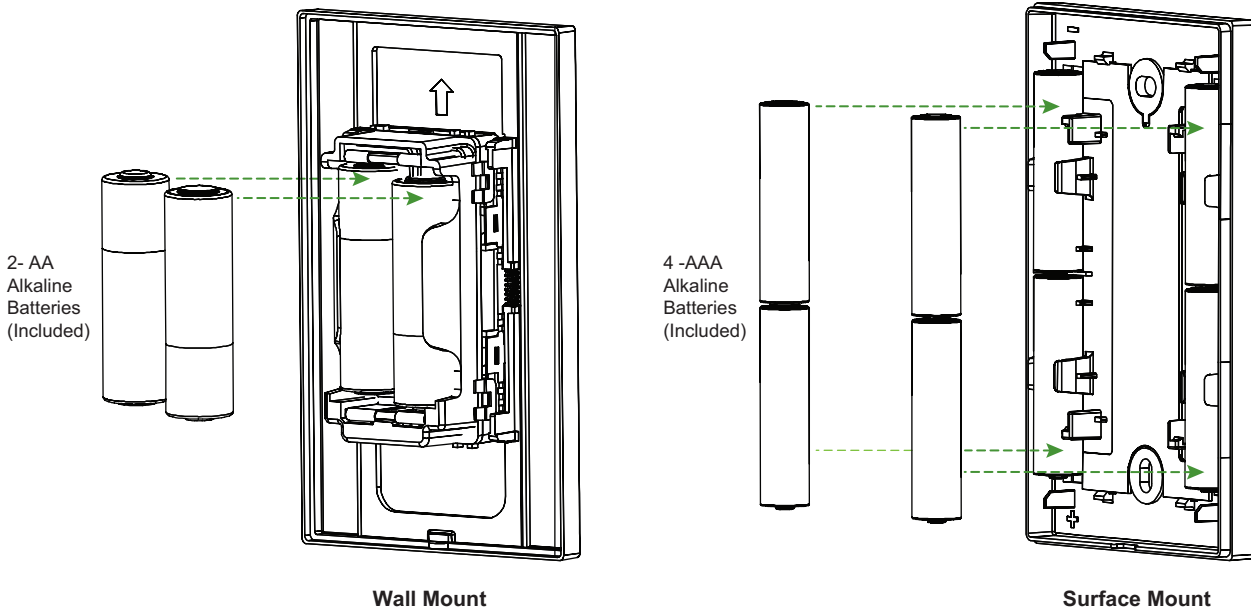


WIRING

GreenBus Wired Wallstation



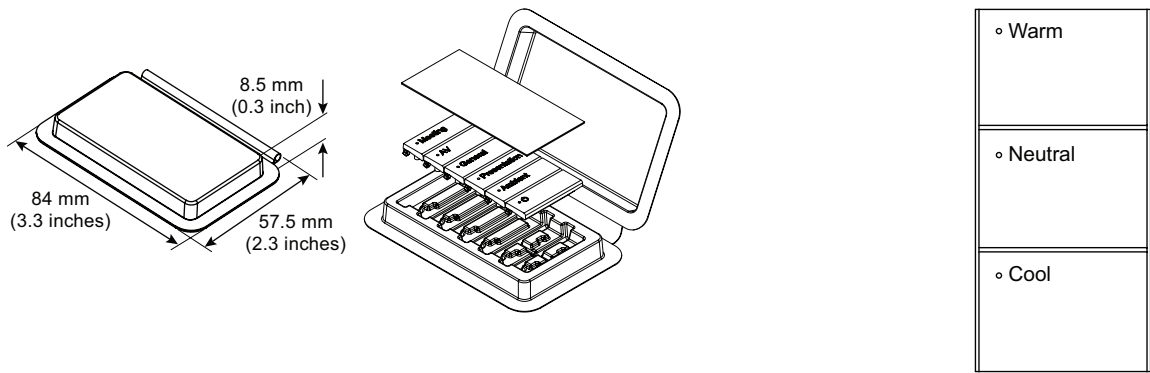
Wireless Wallstation – Battery Operated, No Wiring Required



BUTTON REPLACEMENT KIT

The button kit provides the ability for field replacement. It comes with three scene buttons engraved to indicate color temperature.

NOTE: Custom engraving kits are available. For more information contact your local sales representative.



ORDERING INFORMATION

Catalog #	Color	Description	Communication Network
EN-WS-TWSC3-GB2-WH	White	Wired 6-Button Tunable White Wallstation	Wired GreenBus
EN-WS-TWSC3-ZB-WH	White	Wireless 6-Button Tunable White Wallstation	Wireless
EN-SMK-ZB-WH	White	Surface Mount Kit for Wireless Wallstations	Wireless
EN-TW-BT01-ZC3-WH	White	Tunable White 3-Button Kit	N/A

Note: Switches include standard faceplates. Compatible with decorator style faceplates.

080458r7 Rev 10/25