

# 10" LCD TOUCHSCREEN DISPLAY PANEL

RTI-IST-10

Mounts to a standard single gang or double gang wallbox

High Brightness 24-bit color IPS LCD (1920 x 1200 pixels)

Integrated high-resolution capacitive-touch screen



Wireless, DALI Wired, and GreenBus Wired Communication

Powered using Power-over-Ethernet (PoE) Injector OR PoE Network Switch

## DESCRIPTION

The IST-10 is ideal for office buildings, educational facilities, and health care spaces where multiple zones of control exist. It provides clean and intuitive control with lighting, shading and tunable white in a single, simple interface.

## OPERATION

The IST-10 is powered using a POE power source, and is connected to a network consisting of an XP6s processor and Wattstopper PLUS managers. Once connected and programmed, the IST-10 sends commands directly to the system over the network based on user inputs. Only 1 XP6s processor is required for up to 100 IST-10 screens.

## FEATURES

- Control multiple lighting scenes for multi-purpose space
- Allows for tunable white lighting and shade control
- Capacitive touch screen for page navigation through screen swiping
- Screen appearance can be personalized for every space
- Perfect for auditoriums, board rooms, large classrooms, and any multi-purpose space

PROJECT		LOCATION/ TYPE	
---------	--	-------------------	--

## SPECIFICATIONS

### RTI-IST-10

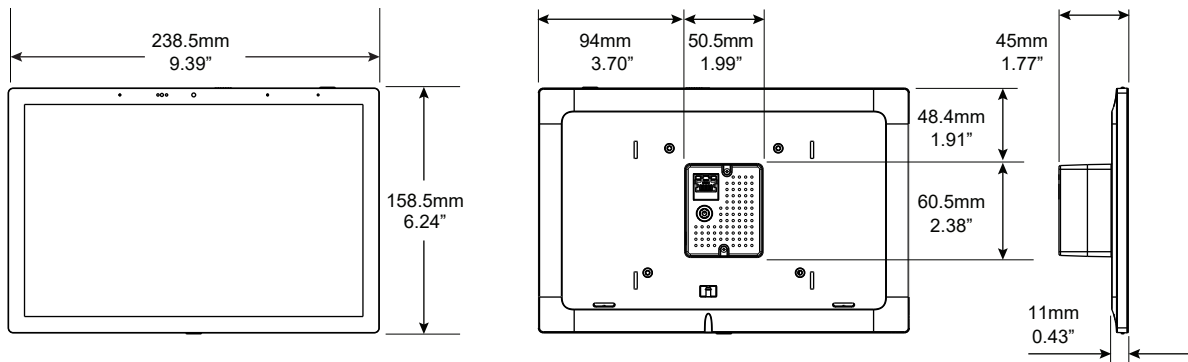
- Display
  - 10" (254 mm) diagonal, 16:10 aspect ratio
  - High Brightness 24-bit color IPS LCD
  - WUXGA (1920x1200 pixels) with true black display filter
  - LED Backlit, 400nit
  - Integrated high-resolution capacitive-touch screen
- Port: RJ45 10/100 Base-T with Power-over-Ethernet
- Power: PoE (max 100 meters)
- Bezel Dimensions: 9.39" x 6.24" x 0.43" (238.5 x 158.5 x 11mm)
- Mounting: Mounts to a standard single gang or double gang wallbox, using mounting plate (included)
- Weight: 14.1 oz (400g)
- Environmental
  - Operating Temperature: 32°F to 122°F (0°C to 50°C)
  - Relative Humidity: 5% to 95%, non-condensing
- Certifications: FCC, CE, UKCA, EAC
- Five year warranty

### RTI-XP-6S

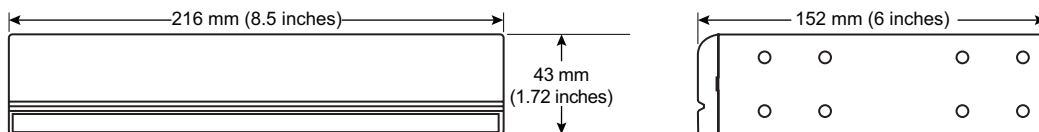
- Power: 12 VDC, 1A
- Processor
  - Powerful 32-bit, 1 GHz CPU
  - 512 MB of non-volatile Flash Memory
  - 512 MB of RAM Memory
- Ports:
  - Ethernet Port — 10/100Base-T, RJ45 Connection
  - USB Port for programming
- A single RTI-XP-6S is required for all (up to 100) RTI-IST-10s in a network.
- Mounting: Rack mount or free standing
- Weight: 907 g (32 oz)
- Environmental
  - Operating Temperature: 32°F to 122°F (0°C to 50°C)
  - Relative Humidity: 5% to 95%, non-condensing
- Certifications: FCC, CE, UKCA, EAC
- Five year warranty

## DIMENSIONS

### RTI-IST-10

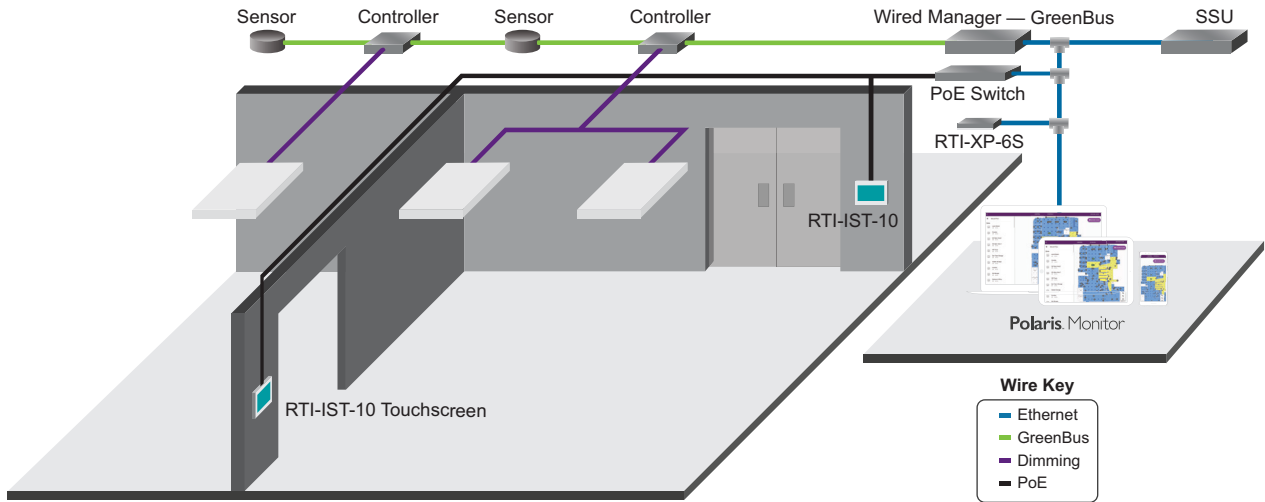


### RTI-XP-6S

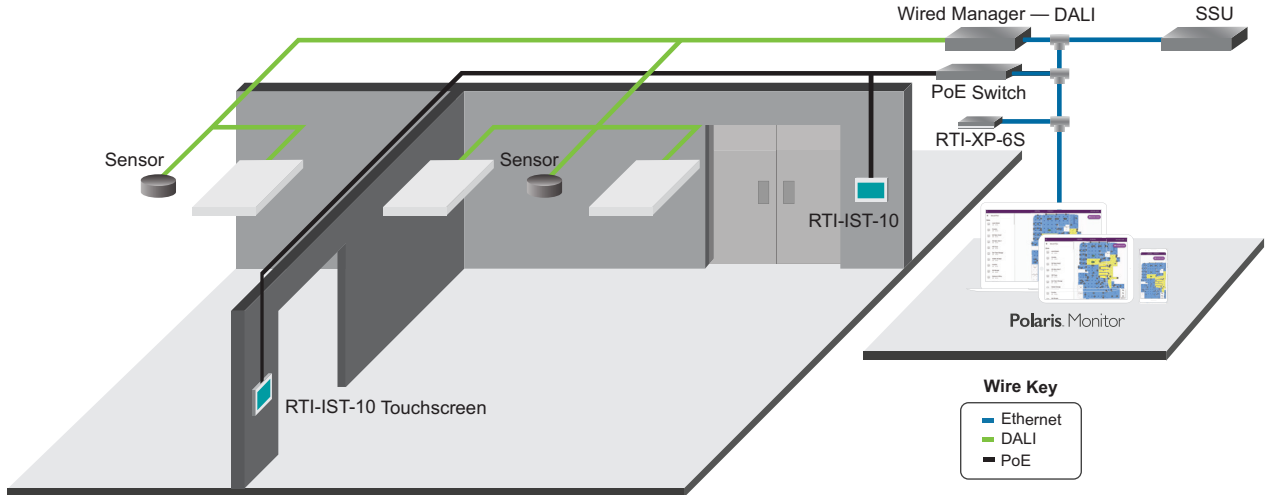


# SYSTEM OVERVIEW

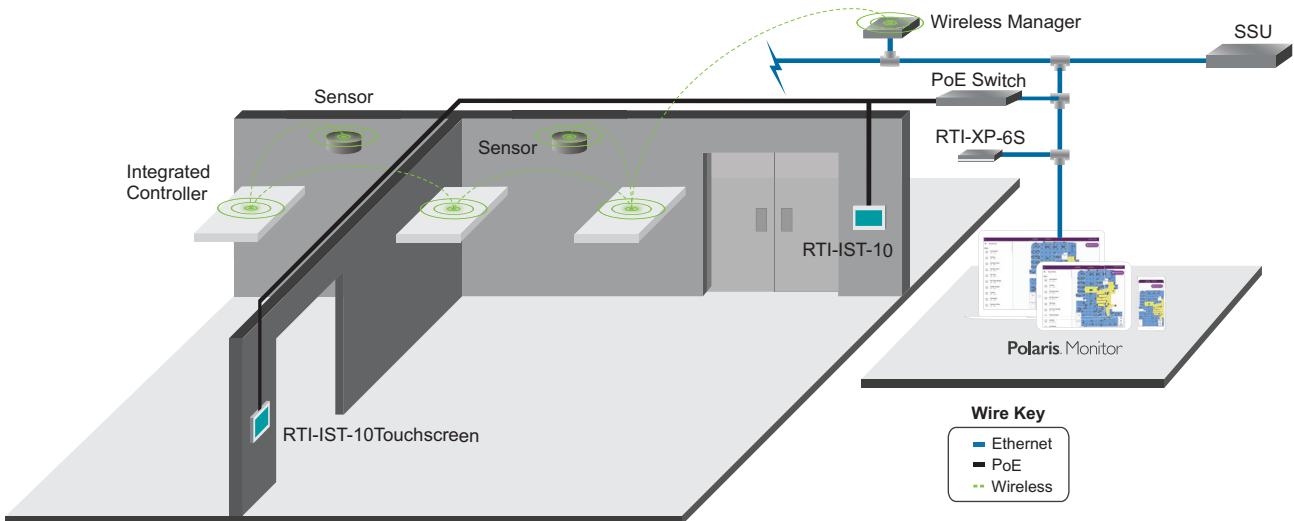
## Wired - GreenBus



## Wired - DALI



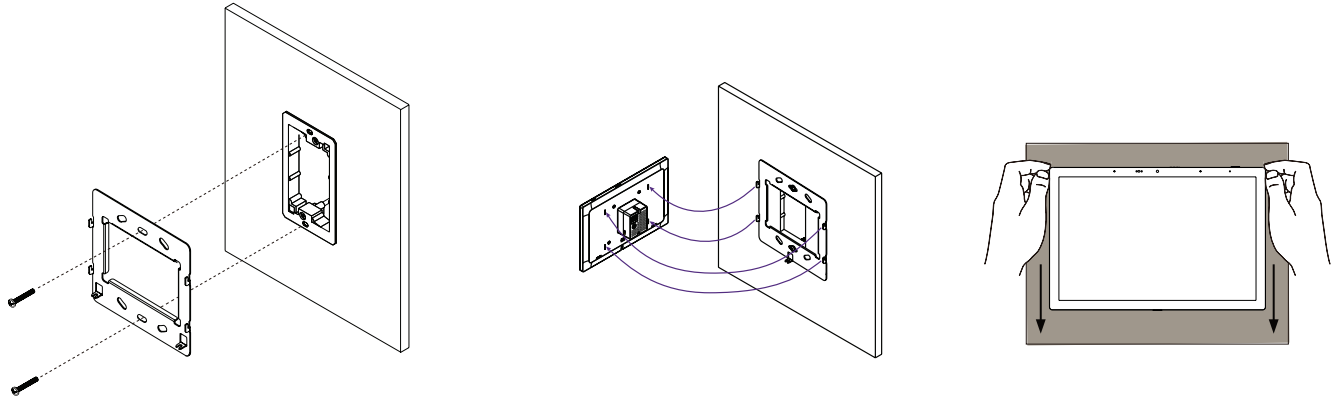
## Wireless



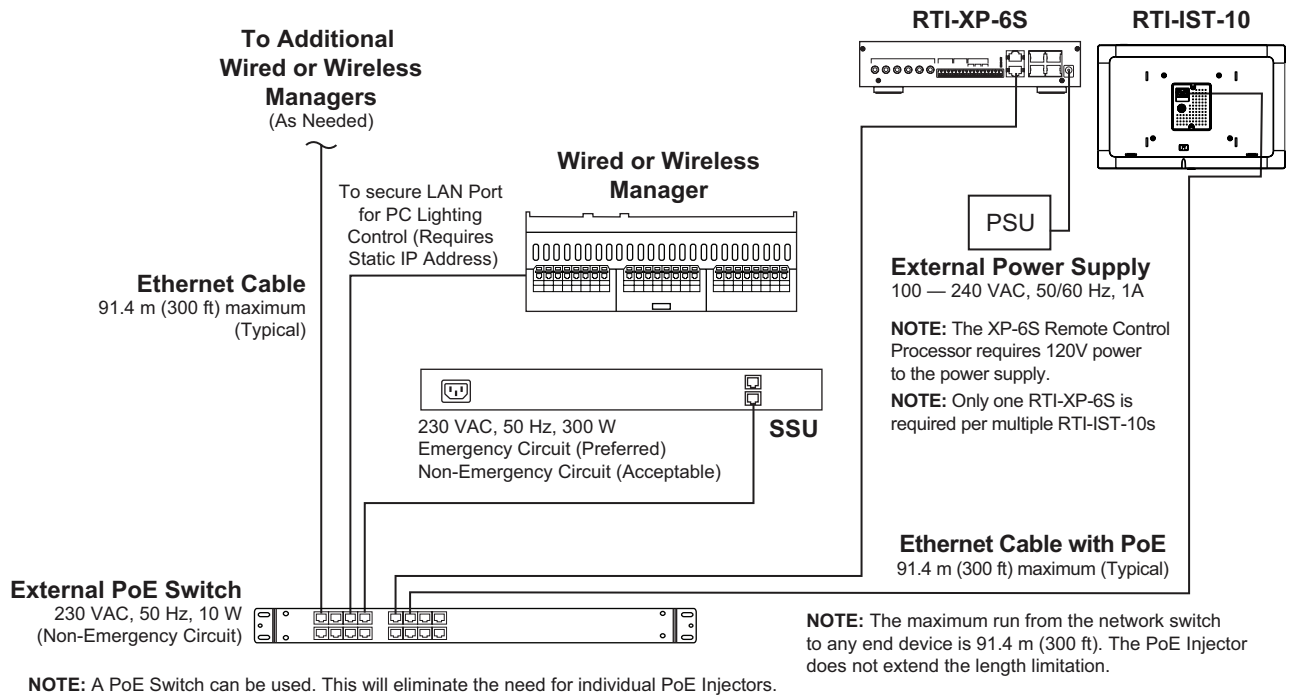
## MOUNTING

The RTI-IST-10 is designed to be mounted to a US standard single or dual gang wall box or a single or dual gang low voltage bracket.

Once the mounting bracket is attached to the wall box, the RTI-IST-10 easily slides onto the mounting bracket and is secured using a captive screw.



## WIRING



## ORDERING INFORMATION

Catalog #	Description	Communication Network
RTI-IST-10-W	10" LCD Touchscreen Display Panel, with White Bezel	Wired GreenBus, Wired DALI, or Wireless, via RTI-XP-6S
RTI-XP-6S	Advanced Control Processor	Wired GreenBus, Wired DALI, or Wireless