

# WIRED MANAGER – DALI

**EN-M-DALI2-X**

 Manual Channel Control —  
On/Off/Dimming

 2 Ethernet Ports,  
RJ45 connections

 4x DALI Channels up to  
64 DALI luminaires and 64  
Input Devices

DALI 2 Certified

## DESCRIPTION

The Wattstopper PLUS Wired Manager — DALI provides a DALI 2 certified application controller. Designed for use within the Wattstopper PLUS system, the Wired Manager — DALI provides daylight-dependent and presence-dependent control of lighting, along with intelligent scheduling, task-related lighting, variable load distribution, real-time light control, analysis of energy consumption, and lamp failure indication.

The Wired Manager — DALI is convenient to use. It provides comprehensive DALI lighting control and can be easily integrated into building management systems.

## FEATURES

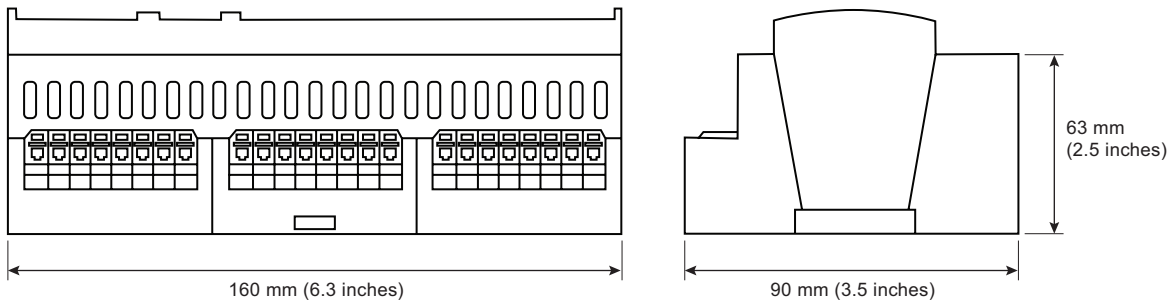
- Enables the scaling of system implementations of any size
- Hybrid System — can be combined with the Wattstopper PLUS Wireless Manager to allow a wired and wireless system design
- Controls up to 256 DALI drivers and up to 256 DALI input devices per manager
- DALI 2 certified
- LED function status displays for power, DALI line, errors, and more
- Installation mode setting allows select function testing of each DALI channel

## SPECIFICATIONS

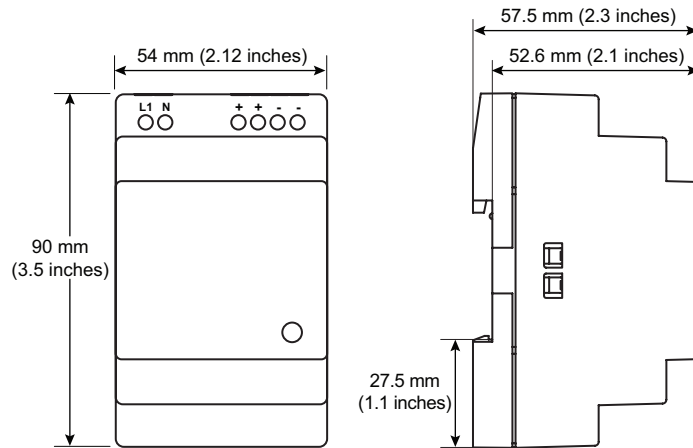
- External Power Supply Voltage:
  - 100 to 240 VAC, 50/60 Hz
  - 0.7A @120V / 0.35A @230V
- Power Supply Output: 24 VDC, 1.3A
- Power Consumption: 22W Max
- DALI Output: 4 DALI Channels, 220 mA per channel; do not exceed channel limit
- Impulse Voltage: 330V
- Maximum DALI cable length: 300 m (984 ft)
- Weight: Manager, 350 g (12.3 oz), Power Supply, 0.17 kg (6 oz)
- Operating Temperature: 32° to 104°F (0° to 40°C)
- Certifications
  - CE, UK CA, UL
  - DALI 2 – IEC62386 Parts 101,103
- Complies with Electromagnetic Compatibility (EMC) Standards: EN 55022, EN 55024, EN 50581, EN 60950, EN 61000
- Environmental Suitability: IP20, Indoor; Pollution Degree 2
- 5 year warranty

PROJECT		LOCATION/ TYPE	
---------	--	-------------------	--

## DIMENSIONS

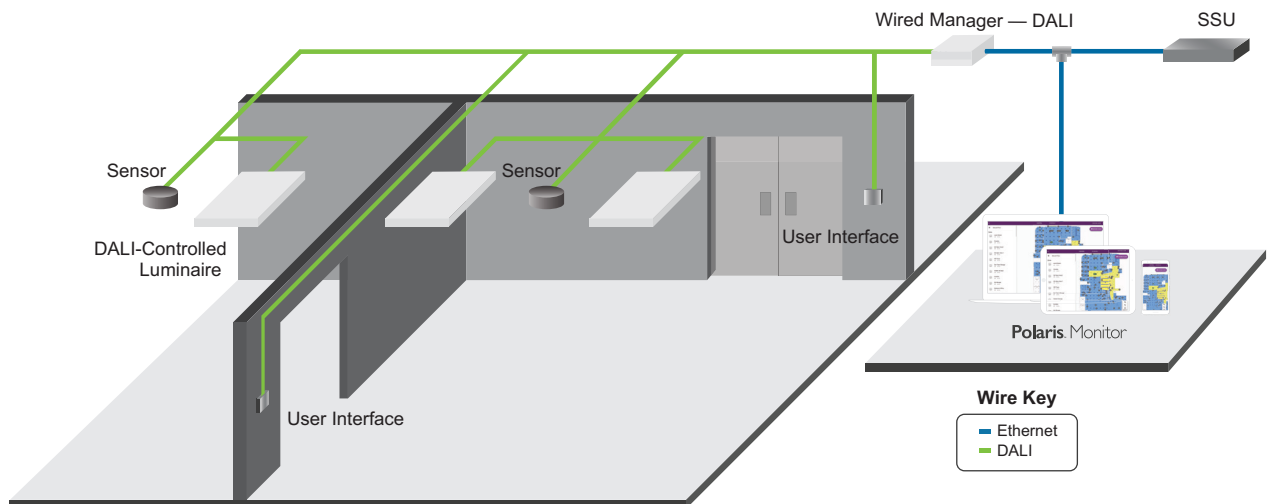


### Power Supply

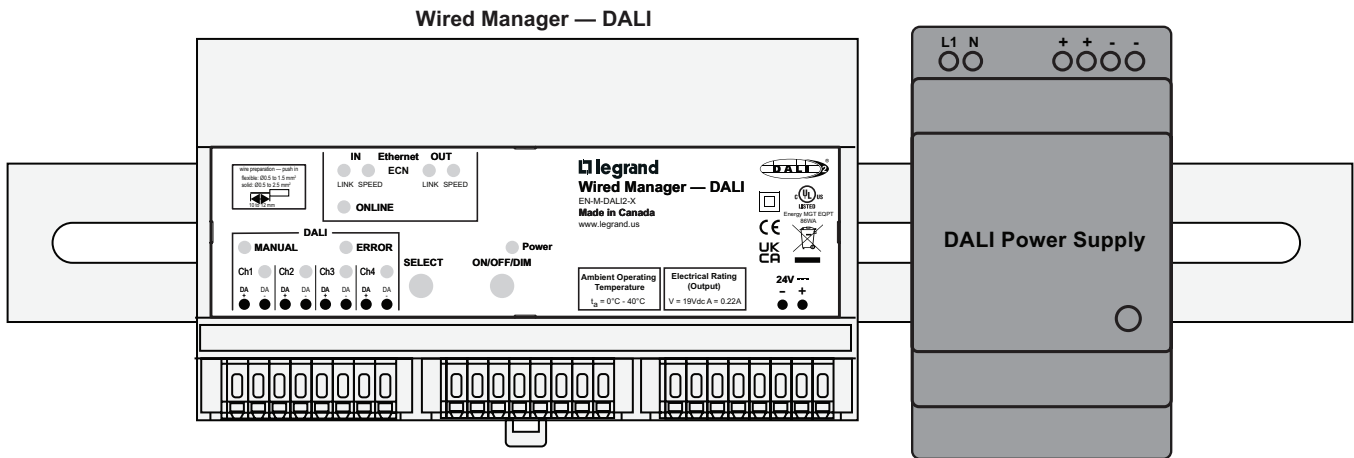


## SYSTEM OVERVIEW

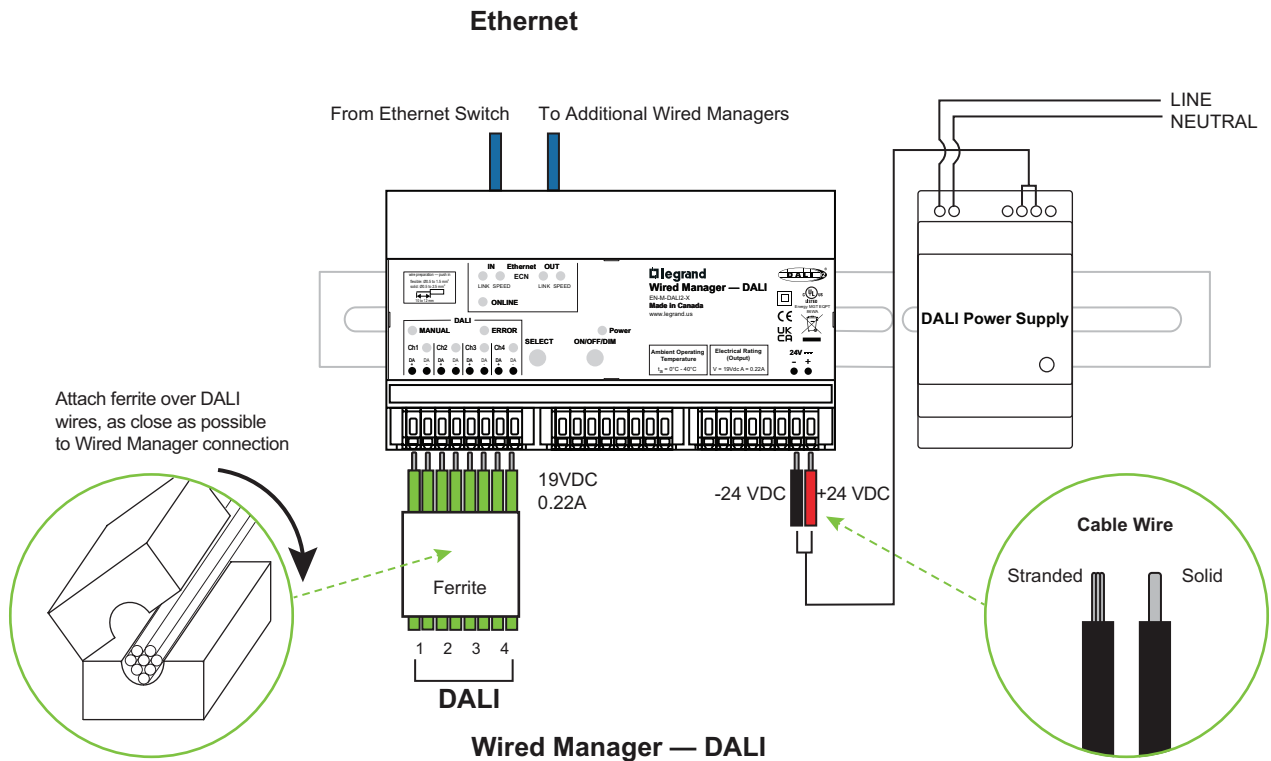
Wattstopper PLUS enables you to control DALI devices. With any Wattstopper PLUS wired design, you get a reliable, lighting control system that can be installed quickly and easily.



## MOUNTING



## WIRING



## ORDERING INFORMATION

Catalog #	Description	Communication Network
EN-M-DALI2-X	Wired Manager — DALI	Wired DALI
6EP1331-1SH03	DALI Power Supply*	N/A
PS-30	DALI Power Supply* (CE Regions Only)	N/A

\* DALI Power Supply is sold separately.