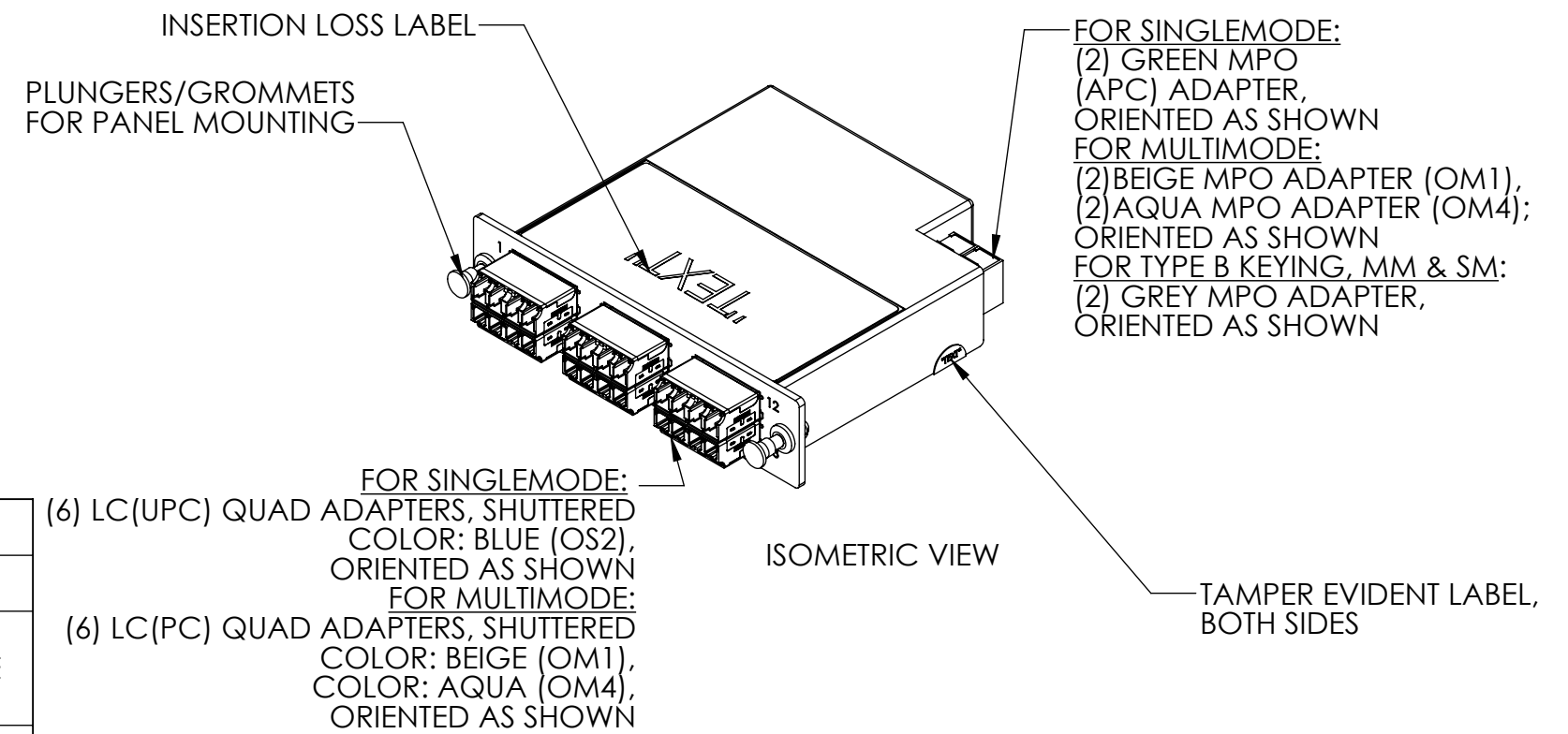


NOTES: UNLESS OTHERWISE SPECIFIED

- OPTICAL PERFORMANCE SHALL BE IN ACCORDANCE PER SPECIFICATION #71800061C. THE TIER LEVELS ARE SHOWN IN TABLE 1.
- THE "CCC" SUFFIX IN THE PART NUMBER DESIGNATES THE FIBER TYPE. SEE TABLE 1.
- PERFORMANCE TIER LEVEL, POLARITY, & REAR MPO ADAPTER TYPE IDENTIFIER ("XYZ"): NO ENTRY MEANS THE STANDARD CONFIGURATION AS DEFINED IN TABLES 1, 2, & 3. NOTE: WHEN "XYZ" IS A 'STANDARD' CONDITION, "XYZ" SHALL BE OMITTED AS A SUFFIX TO LEGRAND ASSEMBLY PART NUMBER.
- A LABEL SHOWING THE INSERTION LOSS VALUES, BY PORT, IS PROVIDED AFFIXED TO THE CASSETTE.
- THE CASSETTE HOUSING IS PLASTIC, BLACK.
- FIBER #1 ON THE MPO CONNECTION IS POSITIONED TOWARDS THE REFERENCE MARK ON THE ADAPTER.
- THE MPO PORT LABEL IDENTIFIES THE MODE, CORE SIZE, CORRESPONDING FRONT PANEL PORT NUMBERS & POLARITY.
- ALL DIMENSIONS ARE IN INCHES.
- INTERNAL MPO CONNECTORS ARE WITH ALIGNMENT PINS.
- FOR SM CASSETTES WITH TYPE B REAR ADAPTER KEYING, REAR MPO APC CONNECTOR IS REVERSED ANGLED TO FUNCTION WITH LEGRAND STANDARD TRUNK CABLES.
- CONFIGURATIONS OF POLARITY IDENTIFIER "NONE" OR "A1" AND REAR MPO ADAPTER TYPE IDENTIFIER "NONE" OR "A" ARE DESIGNED FOR USE IN ACCORDANCE WITH ANSI/TIA-568.3-D "CONNECTIVITY METHOD A SUPPORTING MULTIPLE DUPLEX SIGNALS". CONFIGURATIONS OF POLARITY IDENTIFIER "B1" AND REAR MPO ADAPTER TYPE IDENTIFIER "C" ARE DESIGNED FOR USE IN PAIRS WITH CONFIGURATIONS OF POLARITY IDENTIFIER "A1" AND REAR MPO ADAPTER TYPE IDENTIFIER "C" IN ACCORDANCE WITH ANSI/TIA-568.3-D "CONNECTIVITY METHOD B SUPPORTING MULTIPLE DUPLEX SIGNALS".

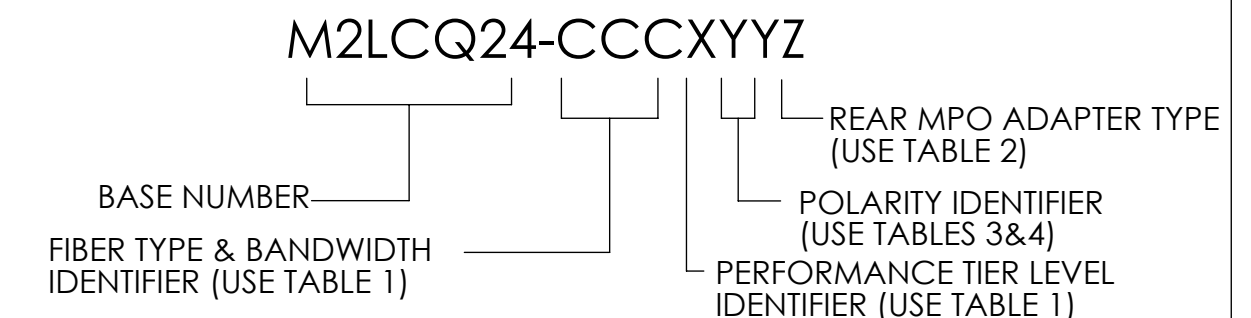
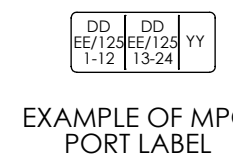
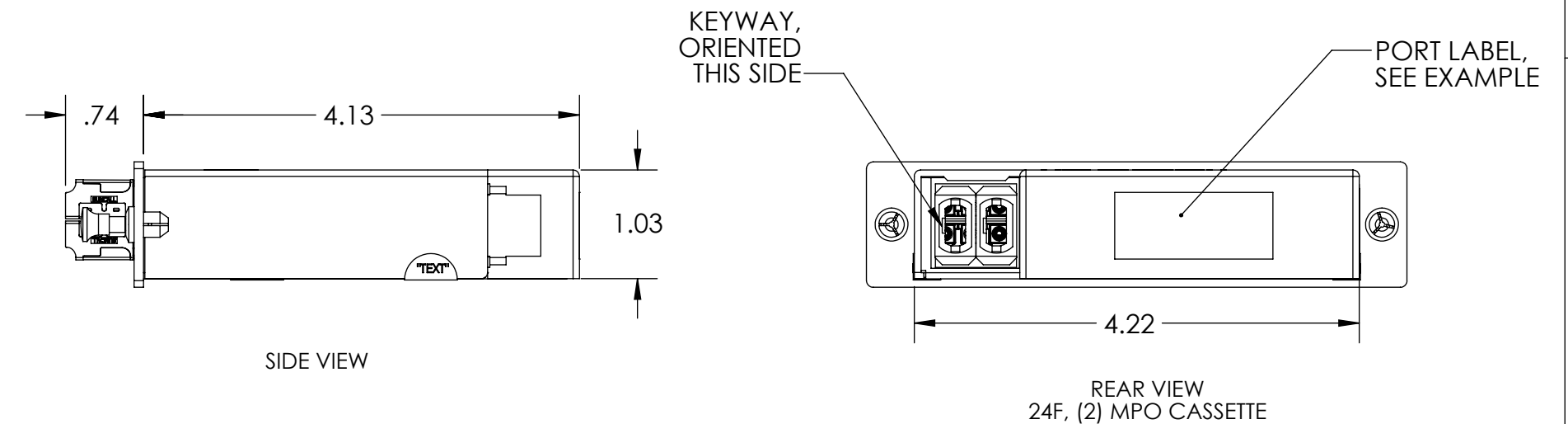
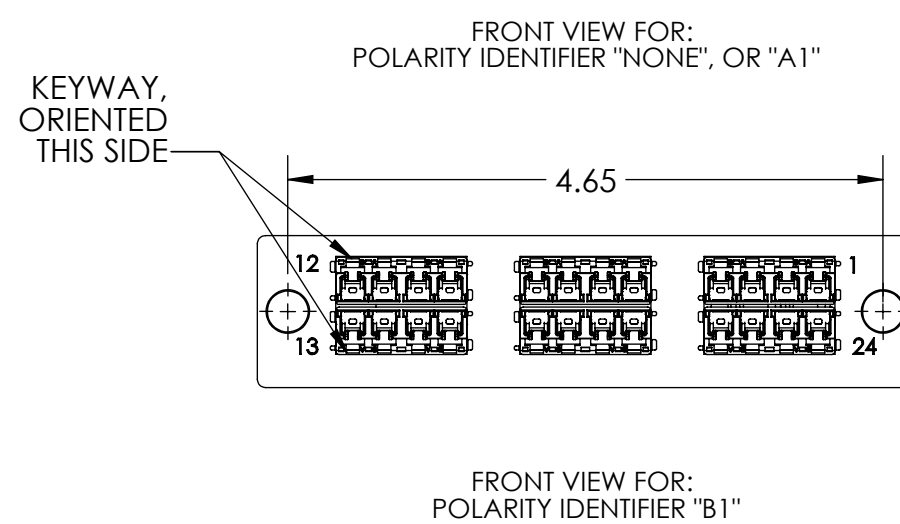
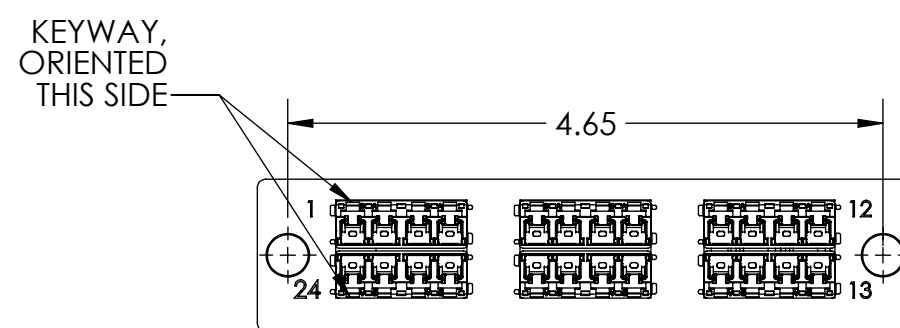
"CCC"	TYPE	"X"	TIER	
09	SM 9/125 (OS2)	NONE	1	INFINIUM CORE
		1	1	INFINIUM CORE
50E	MM 50/125 (OM4)	3	3	INFINIUM ULTRA
62	MM 62.5/125 (OM1)	NONE	1	INFINIUM CORE



"Z"	"TYPE"	"KEYING"	QTY OF REAR ADAPTERS
NONE	TYPE A	KEY UP TO KEY DOWN	2
A	TYPE B	KEY UP TO KEY UP	2

"YY"	INTERNAL POLARITY
NONE	TYPE A ARRAY
A1	TYPE B ARRAY

INTERNAL FIBER CONNECTION			
MPO REAR PANEL		LC PORT #**	
PORT	FIBER POS #	(YY="A1" OR NONE)	(YY="B1")
1-12	1	1	12
	2	2	11
	3	3	10
	4	4	9
	5	5	8
	6	6	7
	7	7	6
	8	8	5
	9	9	4
	10	10	3
	11	11	2
	12	12	1
13-24	1	13	24
	2	14	23
	3	15	22
	4	16	21
	5	17	20
	6	18	19
	7	19	18
	8	20	17
	9	21	16
	10	22	15
	11	23	14
	12	24	13



PART NUMBER LEGEND

<p>*** NOTICE *** THIS DOCUMENT CONTAINS CONFIDENTIAL AND/OR PROPRIETARY INFORMATION INTENDED FOR USE ONLY BY THE INDIVIDUAL(S) PROVIDED. NEITHER THIS DOCUMENT, NOR ANY INFORMATION CONTAINED HEREIN, MAY BE COPIED, DISTRIBUTED, DISCLOSED TO ANY THIRD PARTY OR USED IN ANY MANNER OTHER THAN FOR WHICH IT HAS BEEN PROVIDED, WITHOUT THE PRIOR WRITTEN CONSENT OF LEGRAND INC. MANUFACTURING RELEASE. PRODUCT SPECIFICATIONS AND STANDARDS ARE SUBJECT TO CHANGE WITHOUT NOTICE.</p>				<p>legrand® WWW.LEGRAND.US</p>		
<p>TITLE CASS, M2, 24, MPO(M)-LC, QD</p>						
DWN	RYNASKI	12/12/2005	SIZE C	CAD FILE M2LCQ24CCCXYZC	DWG NO M2LCQ24-CCCXYZ	REV 13
CHK	AM	3/27/2006	SCALE 1:2	SHEET		1 OF 1
APPR	MEM	3/27/2006				

** LC PORT NUMBERING: PER FRONT PANEL MARKING