

D

C

B

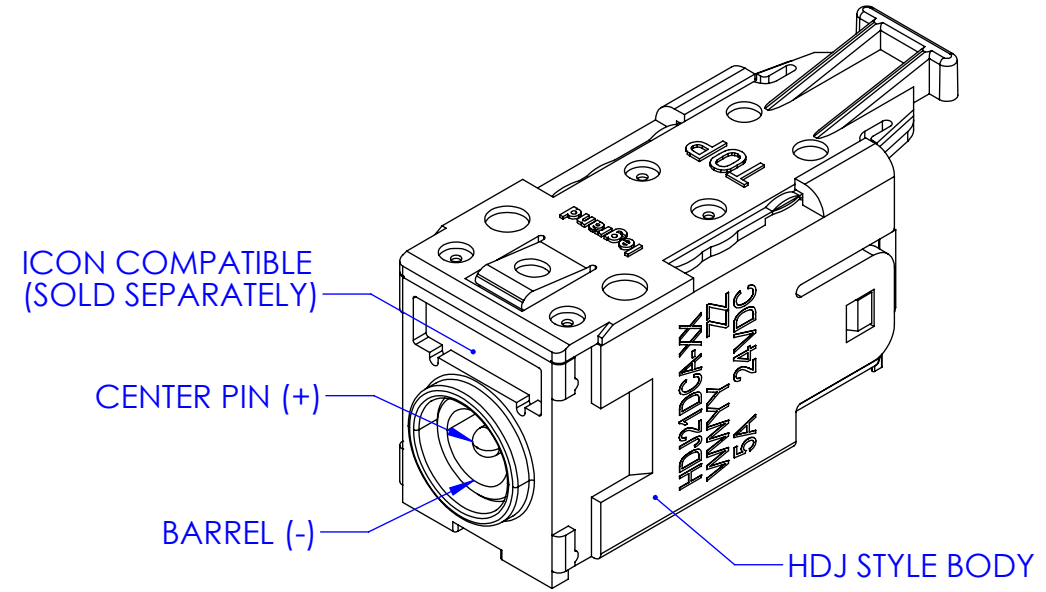
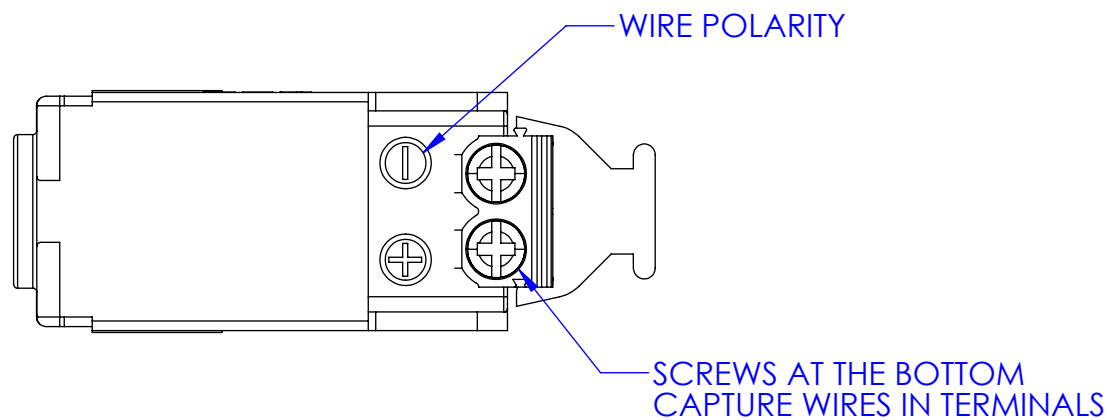
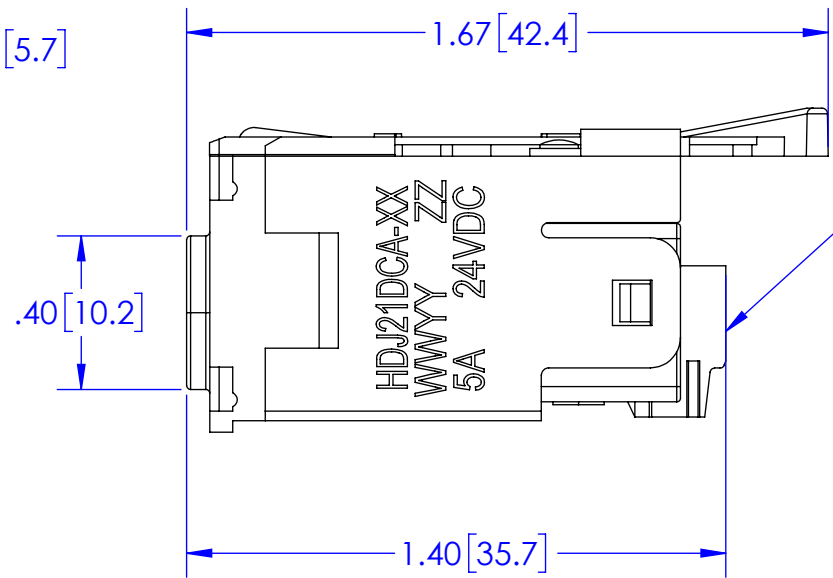
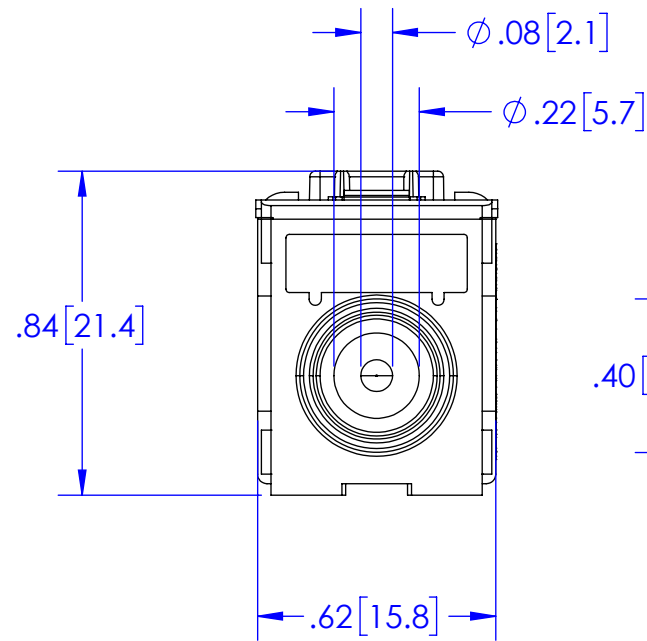
A

D

C

B

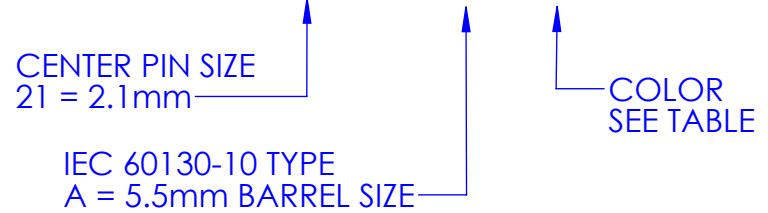
A



JACK COLOR	-XX
FOG WHITE	NONE
BLACK	-00
DK. GRAY	-78
WHITE	-88
*WM IVORY	-99

CONTACT CSR FOR OTHER COLORS  
(\*MIN ORDER QTY MAY APPLY)

### HDJ YY DC Z - XX



- NOTES:**
- DIMENSIONS ARE IN INCHES [mm].
  - WIRE COMPATIBILITY: 18-24 AWG SOLID OR STRANDED COPPER.
  - PRICON-XX COMPATIBLE (AVAILABLE IN 12 STANDARD COLORS).
  - COMPATIBLE WITH ALL HDJ FACEPLATES, BEZELS, PANELS, AND SURFACE MOUNT BOXS (SMB'S).
  - ELECTRICAL SPECIFICATIONS:
    - VOLTAGE RANGE: 3-24V DC
    - CURRENT: 5A OR 80 WATTS MAX
    - CENTER PIN POLARITY: (+)
    - MEETS UL 1977 AND 2043, WHEN USED WITH BPYYDCZXX.
  - CONNECTOR DIMENSIONS: 2.1mm DIA PIN, 5.5mm DIA BARREL.
  - MATING PLUG INSTALL/REMOVE FORCE RANGE = 4 TO 8 LBF.

**\*\*\* NOTICE \*\*\***  
THIS DOCUMENT CONTAINS CONFIDENTIAL AND/OR PROPRIETARY INFORMATION INTENDED FOR USE ONLY BY THE INDIVIDUAL(S) PROVIDED. NEITHER THIS DOCUMENT, NOR ANY INFORMATION CONTAINED HEREIN, MAY BE COPIED, DISTRIBUTED, DISCLOSED TO ANY THIRD PARTY OR USED IN ANY MANNER OTHER THAN FOR WHICH IT HAS BEEN PROVIDED, WITHOUT THE PRIOR WRITTEN CONSENT OF LEGRAND, INC. MANUFACTURING RELEASE. PRODUCT SPECIFICATIONS AND STANDARDS ARE SUBJECT TO CHANGE WITHOUT NOTICE.

**legrand**® WWW.LEGRAND.US

TITLE: DC JACK, HDJ, SCREW TERM, YY SIZE, TYPE Z, XX COLOR

NAME	DATE	SIZE	CAD FILE	DWG NO	REV
DWN KL	9/15/2021	B	HDJYYDCZXXC	HDJYYDCZ-XX	00
CHK DP	8/10/2023	SCALE	2:1	WEIGHT	SHEET
APPR KC	8/10/2023				1 OF 1

4

3

2

1