

# DALI 2 PRESENCE DETECTOR

DP-EBSPIR-DALI2

Daylight and  
Occupancy Sensing



Flush or Surface Mount

## DESCRIPTION

The DP-EBD SPIR-DALI2 is a flush mounted, ceiling sensor. This sensor can be used as both a presence detector as well as a light level sensor.

In situations where flush mounting is not possible, the DP-EBD SPIR-DALI2 can also be surface mounted, with the optional OP-EBDBB Surface Mounting Box.

## FEATURES

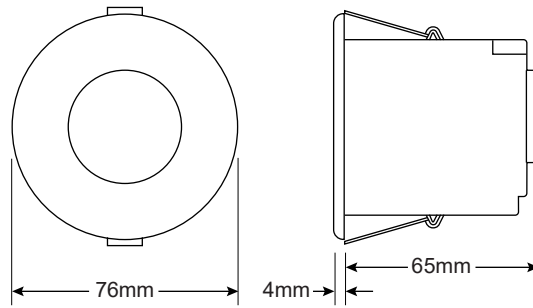
- DALI-2 certified
- Fully compliant to IEC 62386-303 (Occupancy detector) and IEC62386-304 (Light Level detection)
- Fully compatible with the Wattstopper PLUS DALI Manager (EN-M-DALI-X)
- Wide detection using a high performance rounded faceted lens. Ideal for larger detection areas.
- IP40 rated

## SPECIFICATIONS

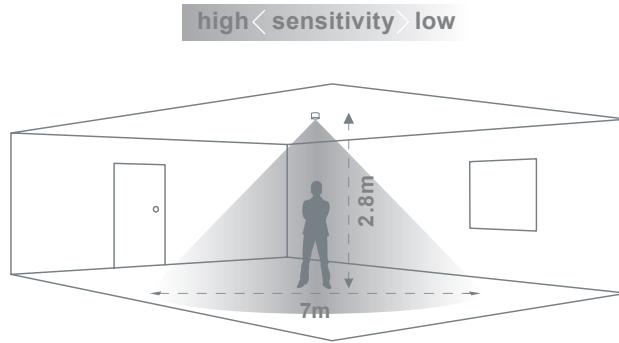
- Voltage: 9.5–22.5 VDC DALI bus
- Nominal Current Consumption: 8mA
- Max (Peak) Current Consumption: 18mA
- Operating Temperature: 14° to 95°F (-10° to 35°C)
- Relative Humidity: 0% to 95%, non-condensing
- Dimensions: 69 X 76 mm (2.7 X 3 inches)
- Weight: 150 g (5.3 oz)
- Certifications: CE, UK CA
- Pollution: Degree 2
- 5 year warranty

PROJECT		LOCATION/ TYPE	
---------	--	-------------------	--

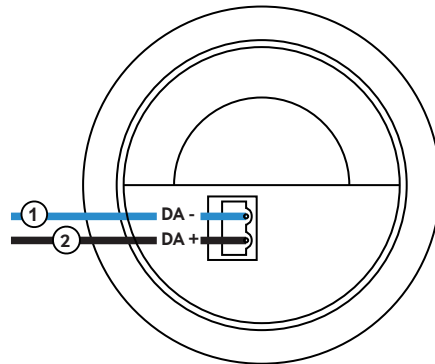
## DIMENSIONS



## SENSOR COVERAGE



## WIRING



## ORDERING INFORMATION

Catalog #	Description	Communication Network
DP-EBDSPIR-DALI2	DALI 2 Presence Detector	Wired DALI
OP-EBDBB	Surface Mounting Box	N/A