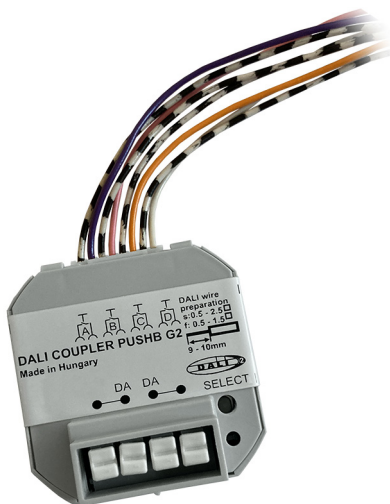


# DALI PUSH BUTTON COUPLER

DALI-COUPLER-PB-G2

Four control inputs



DALI-2 certified

## DESCRIPTION

The DALI Push Button Coupler (DPBC) enables any standard push button or switch of a preferred brand, shape, size, or color to be integrated into the Wattstopper PLUS System. Powered directly from DALI, the DPBC connects up to 4 push buttons and is easily installed in any standard flush-type junction boxes.

The DPBC has 4 input channels for potential-free contacts. Either switches or push buttons can be connected. Each button (input) on the DPBC is field configurable to suit the desired control scheme in the installed space.

This includes commands such as:

- Turn On and Turn Off
- Dim Up and Dim Down
- Recall Scene
- Toggle On/Off
- Changing and recall color temperature

## FEATURES

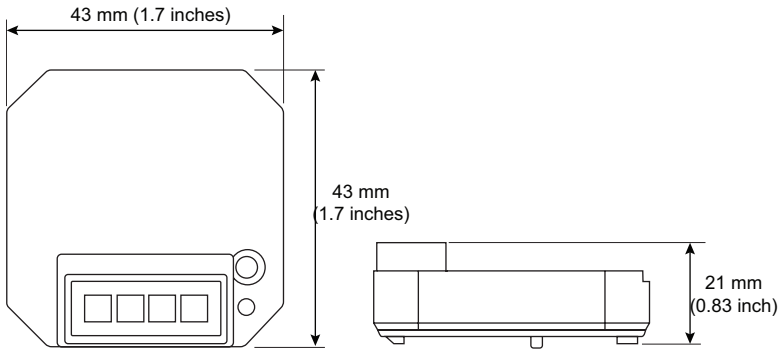
- Powered by DALI
- DALI-2 certified
- No mains connection needed
- Connects up to 4 separate push button devices
- Enables the connection of multiple push button couplers to the same DALI line
- Standard push button / switches can be used

## SPECIFICATIONS

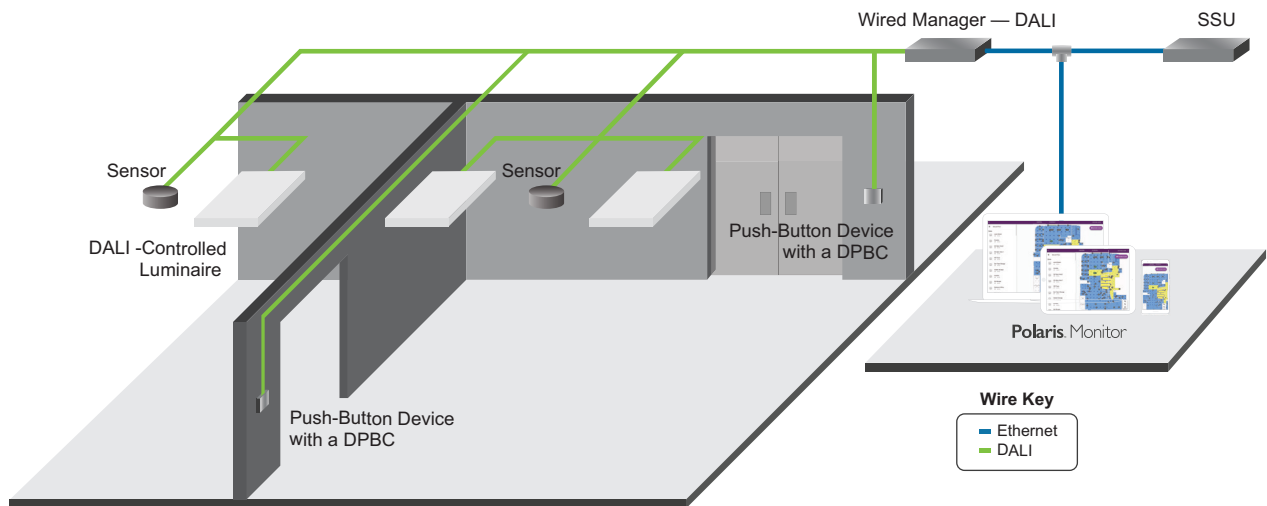
- Voltage: 22.5 VDC, via DALI
- Current Consumption: 6 mA, peak consumption 12mA
- Number of Control Inputs: 4
- Weight: 25 g (0.9 oz)
- Operating Temperature: -4° to 122°F (-20° to 50°C)
- Certifications: CE
- Environmental Suitability: IP20
- 5 year warranty

PROJECT		LOCATION/ TYPE	
---------	--	-------------------	--

## DIMENSIONS

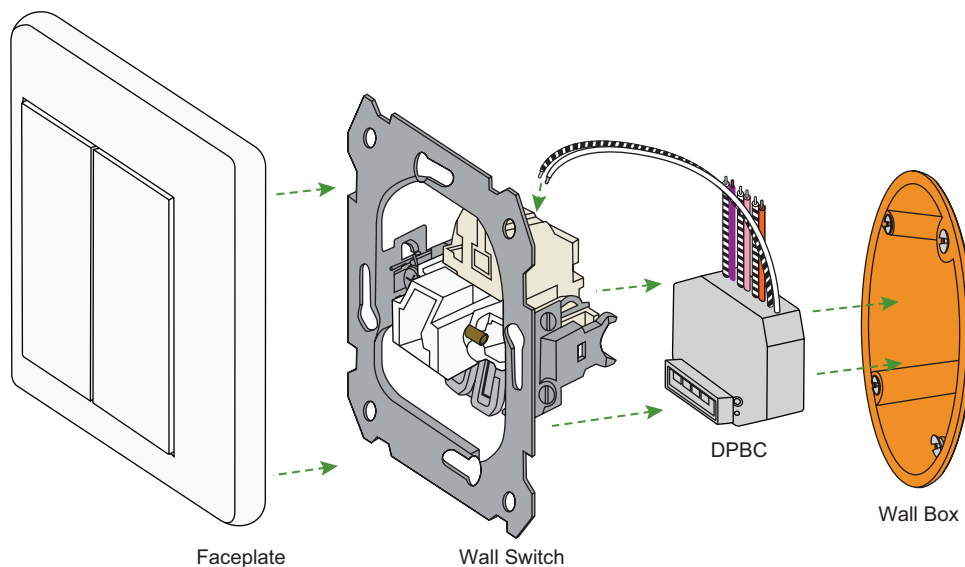


## SYSTEM OVERVIEW

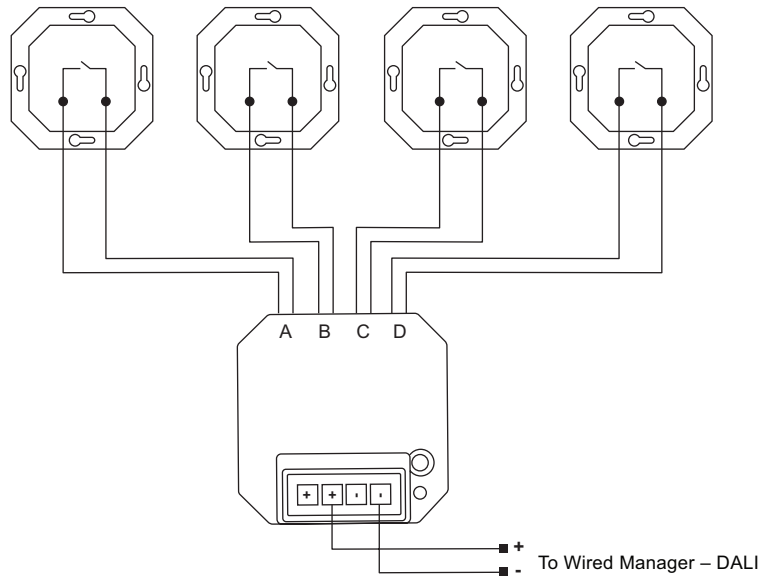
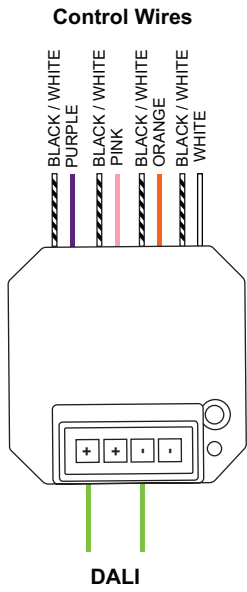


## MOUNTING

The DPBC can be installed in a standard wallbox.



# WIRING



# ORDERING INFORMATION

Catalog #	Description	Communication Network
■ DALI-COUPLER-PB-G2	DALI Push Button Coupler	DALI

34700r1 Rev 04/25