

EQUINOX 41 LCD TOUCHSCREEN

EQ41TB-TI / EQ41TB-NI

Weather mini widget provides real-time local weather

Always on multi-system interface (showing scenes widget status via on-screen widget)

Glass to edge aesthetic

Simple, intuitive graphical user interface for multi-system control

Home button returns to the main page, no matter where you are in the navigation

Personalized by user, time, etc.

“Press” the discovery dots for more information, more control, and the ability to create and edit widget functions

Swipe left or right to reveal other system widgets

Graphic indicates system status via on-screen widgets (i.e. scenes or lights on or off thermostat setpoint, etc.)

Programmable tactile switch can provide traditional “on” or “off” function, personalized scene control, etc.

DESCRIPTION

Equinox 41 is a high bright LCD touchscreen that is always on and always available. The touchscreen provides immediate control and status for selected sub-systems, one sub-system at a time, via vibrant widgets. It offers a simple, single layer smart phone type navigation experience with complete consistency across Equinox touchscreens and apps for mobile devices. The top layer view offers immediate status and control of day to day functions. Navigate to the second, or full screen layer, for more specific, less used operations. The third, or edit mode, layer, is then used for users to schedule and update pre-defined tasks.

HIGHLIGHTS

User profiles truly set EQ 41 apart; simply switching between them defines the graphical environment, widget order, and primary tasks. LCD resolution, high bright back lighting, and quad core processing power create a rich, animated user experience. Ambient light sensing regulates light output at night, and the power save mode lets EQ sleep during inactivity, waking immediately with localized motion or touch. The wired infrastructure means EQ is always there, always ready. Fast Fit wall box and PoE or 12VDC power simplify the whole install process.

OPERATION

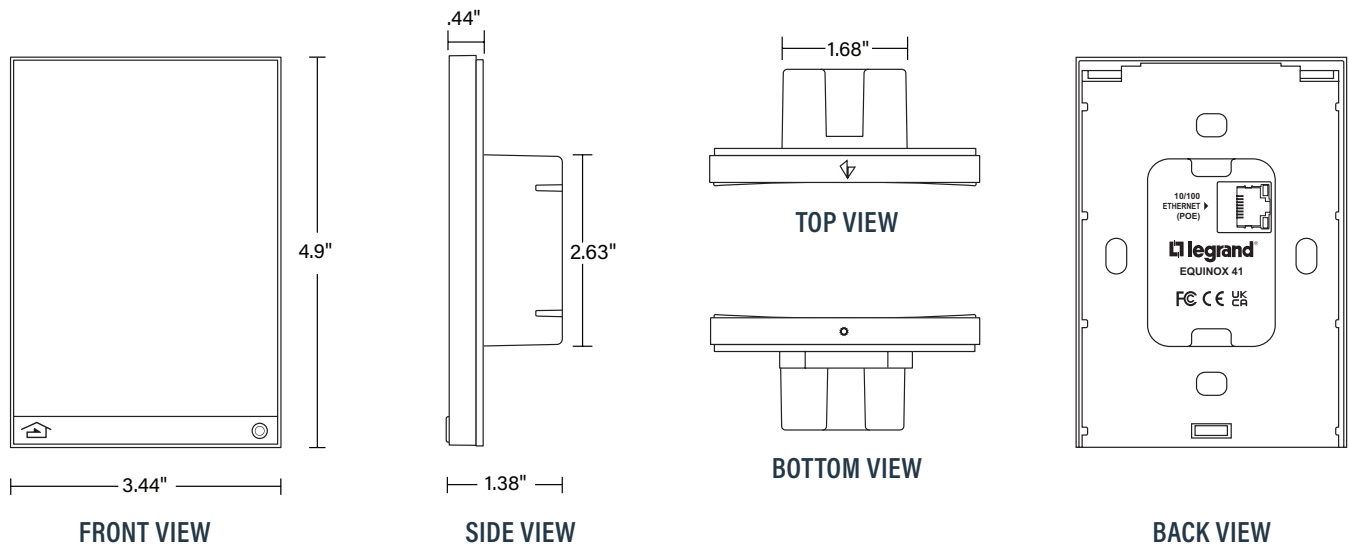
Utilizing the combined power of InFusion and Design Center software, Equinox 41 can be auto configured with subsequent updates delivered through Design Center or on the EQ 41 screen. The pre-defined graphical environment allows installers and programmers to efficiently create intuitive screens that are consistent with the entire user environment. The common graphical user interface with swipe and touch consolidates EQ 41’s consistency with mobile tablets and phones. With the unique profiles feature, users are given the ability to personalize their experience. The touchscreen gives users the ultimate power by allowing them to schedule, edit, and prioritize the control functions that matter most to them.

APPLICATIONS

Equinox 41 is the perfect addition to any automated lighting project running Vantage’s InFusion system. With its ability to access and control multiple sub-systems via on-screen widgets, EQ 41 is a necessity for spaces with automated lighting control. When the requirements of the space indicate the need for a quick access to multiple sub-systems, EQ 41 should be a primary consideration. Applications may include classrooms, smaller conference rooms, and other single use spaces. Equinox 41 is compact enough to fit in a single gang box.

PROJECT		LOCATION/TYPE	
---------	--	---------------	--

MULTI-VIEW LINE DRAWING



FEATURES

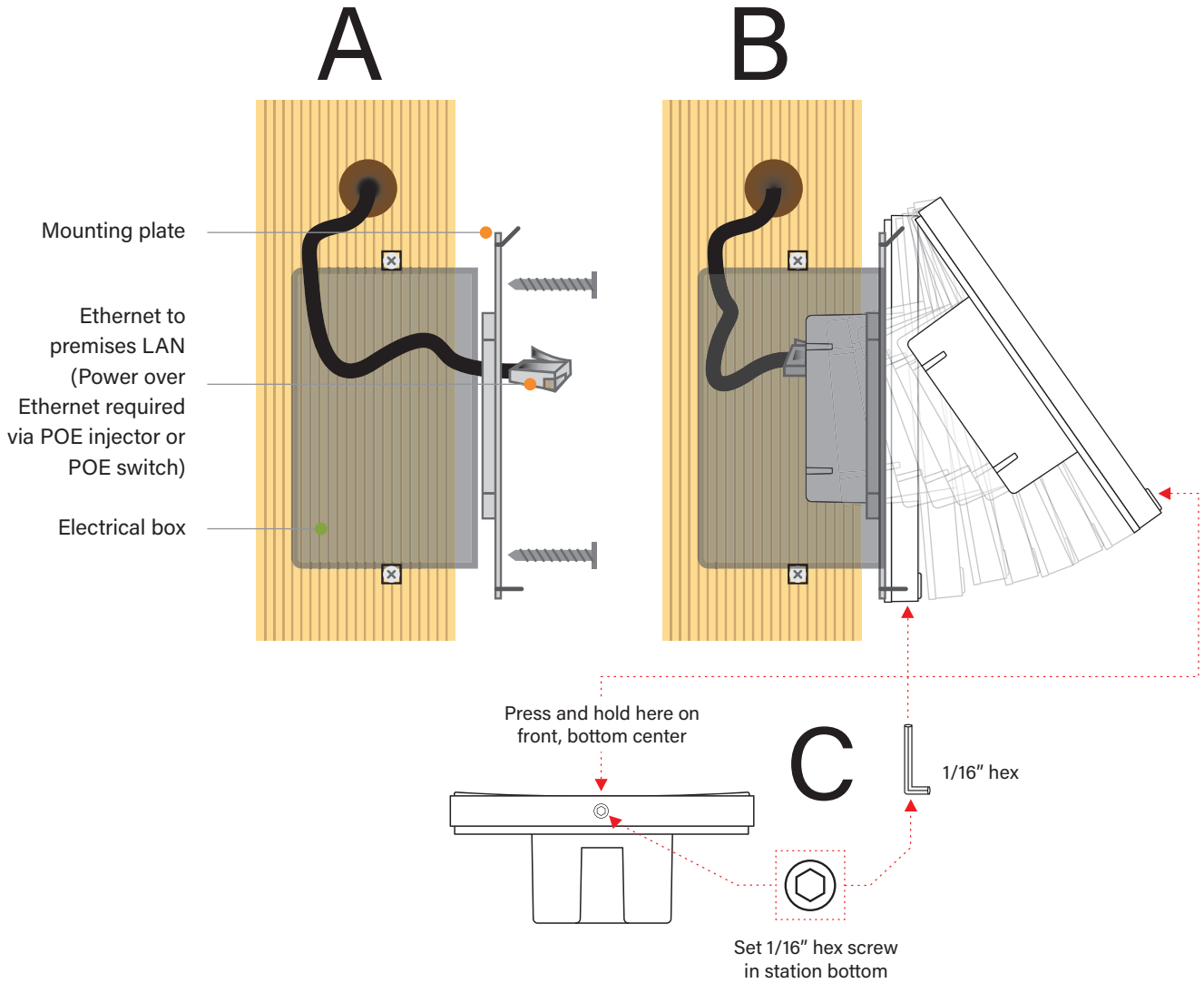
- 4.3" LCD panel with projected capacitive touch interface
- Titanium or Nickel TrimLine II frame; black glass-to-edge surface aesthetic
- Unique Equinox widget user interface
- Ambient light sensor for auto day/night backlighting
- Motion sensor screen on and initiate a task
- One visible widget with full screen and edit modes
- 90% daily control through the dashboard layer
- UI consistency with smartphones (Android and iOS) and Equinox 73
- Active IR sensors for approach on and auto sleep modes
- Uses standard US and European single-gang wall box mechanics
- Dynamically updated with sub-system status and feedback
- Low (12V DC) power consumption
- Tap, swipe, press, and hold to navigate
- Cat5e connectivity with PoE

SPECIFICATIONS

Dimensions - On-Wall Surface (HWD):	4.9" x 3.44" x 0.44" (124mm x 87mm x 11mm)
Dimensions - Overall (HWD):	4.9" x 3.44" x 1.38" (124mm x 87mm x 35mm)
Model:	EQ41TB-TI, EQ41TB-NI
Addressing:	Self addressing through software
Ambient Operating Humidity:	5-95% non-condensing
Ambient Operating Temperature:	32-95°F / 0-35°C
Certification:	UKCA, CE, FCC, EN 55032, EN 55035, EN 61000-3-2, EN 61000-3-3, EN 50130-4
Display:	Active matrix color LCD
Display Resolution:	480 x 272 pixels "high bright"
Finishes:	Trim: Titanium (TI), Nickel (NI) Touchscreen: Black glass
Glass Surface:	Chemically strengthened
Hard Buttons:	Left: Home, Right: Programmable
Power:	12VDC via PoE
Surge Suppression:	Yes
Sound Option:	Adjustable volume level - Touch interaction
System Compatibility:	InFusion
Wiring Connections:	Ethernet RJ45

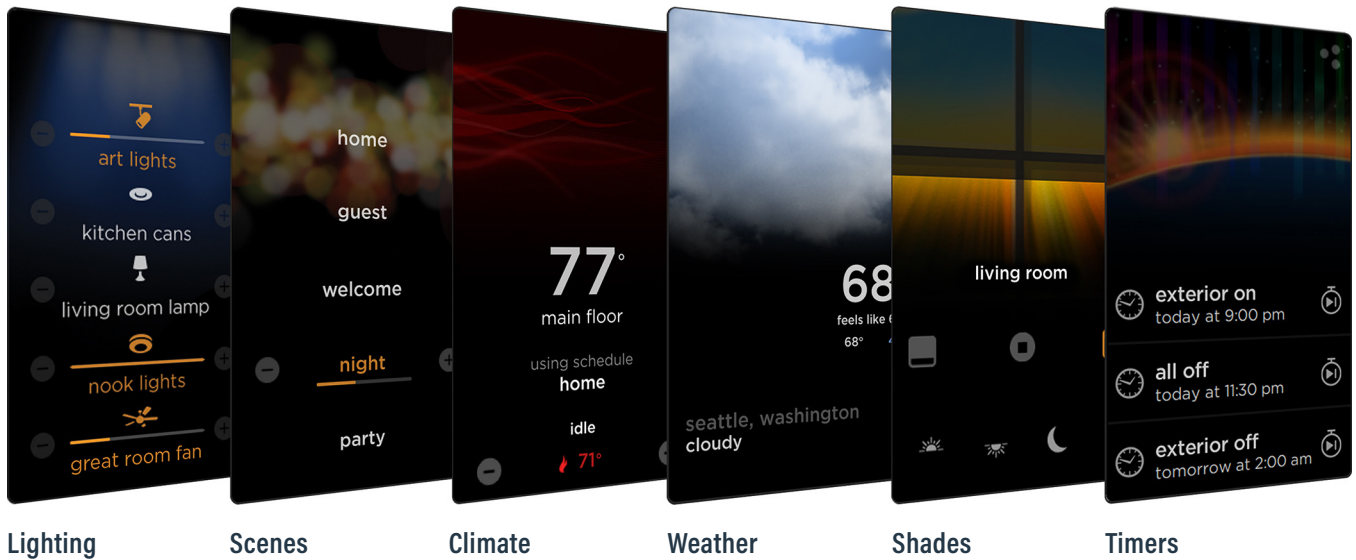
INSTALLATION AND WIRING DIAGRAM

Electrical installer to provide (1) 120V circuit input to the controller (not to be shared with lighting loads). Wire gauge and breaker rating to be determined by electrical contractor, considering 200W maximum power draw per controller.



WIDGET OPTIONS

See widget cutsheet for additional details.



ORDERING INFORMATION

Catalog #	Description	Voltage / Misc.
<input type="checkbox"/> EQ41TB-TI	Equinox 41 LCD Touchscreen - Titanium	12VDC via PoE
<input type="checkbox"/> EQ41TB-NI	Equinox 41 LCD Touchscreen - Nickel	12VDC via PoE
<input type="checkbox"/> EQ-APP-5	Equinox 1-5 App License SD Card	
<input type="checkbox"/> EQ-APP-10	Equinox 1-10 App License SD Card	
<input type="checkbox"/> EQ-APP-X	Equinox Unlimited App License SD Card	Each switch comes with one 2-wire pigtail