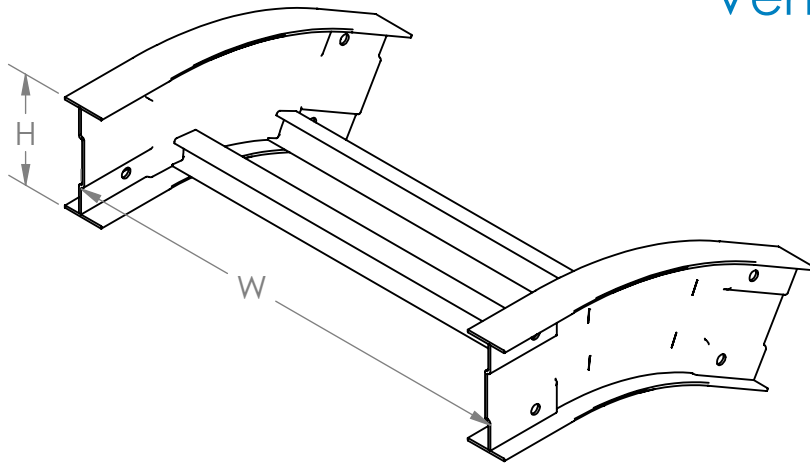
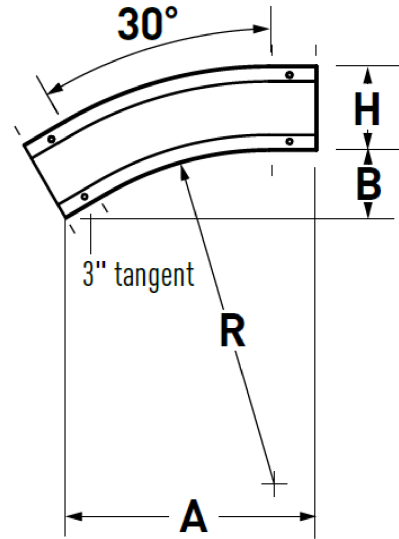


30VO Vertical Outside 30° Elbow



LD and SB



ITRAY VERTICAL INSIDE ELBOW CATALOG NUMBERING EXAMPLE:

BOTTOM TYPE	LD - 6 A	- 30V 0 1 2 - 0 6	WIDTH
VENTED	RAIL HEIGHT	FITTING CODE	RADIUS
LD - Ladder Rung	4 - 4"	12 - 12"	06 - 6"
NON-VENTED	5 - 5"	24 - 24"	09 - 9"
SB - Solid Bottom	6 - 6"	36 - 36"	12 - 12"
	7 - 7"		18 - 18"
			24 - 24"
			30 - 30"
			36 - 36"

MATERIAL A

Radius R	Rail Height H	A	B
12	4-7	11 5/8	3 1/8
24		17 5/8	4 3/4
36		23 5/8	6 3/8

- **Material:** Aluminum Alloy 6063 and 5052
- **Finish:** Plain
- **Bottom:** LD: 1" wide rung
SB: Flat sheet over Rung
- **Construction:** Welded
- **Tray Design:** Tray construction and markings are per the latest edition of NEMA Standards Publication VE1, CSA C22.2 No. 126
- **Connectors:** All fittings are supplied with necessary connectors and fasteners
- **Fitting Heights (H):** 4", 5", 6", 7"