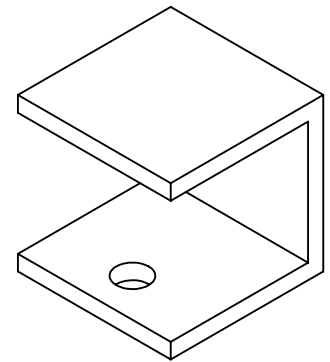
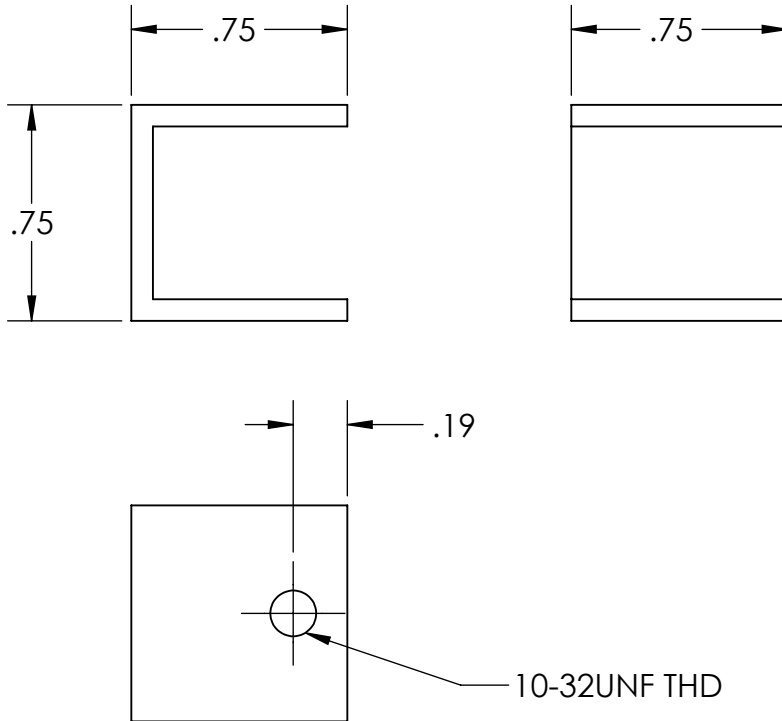


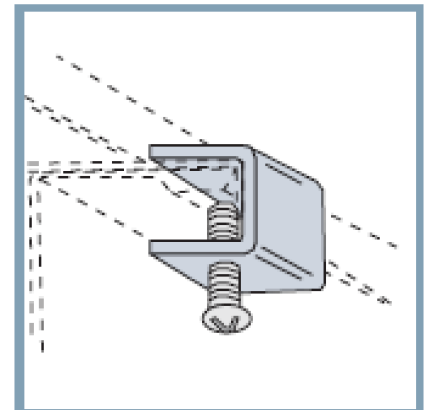


PW Ladder Cable Tray Cover Accessories

1853 Series Flange Out Cover Clip



FLANGE-OUT CLIP



- For use with indoor, horizontal covers
- Sold Individually

| QUANTITY OF COVER CLAMPS REQUIRED | |
|-----------------------------------|---|
| STRAIGHT SECTION – 5' & 6' | 4 |
| STRAIGHT SECTION – 10' & 12' | 6 |
| HORIZONTAL ELBOWS | 4 |
| TEES | 6 |
| CROSSES | 8 |

Material: 316 Stainless Steel

Finish: None

Furnished with (1) 10-32UNF X 3/4
Round Head Screw

Fastener Option: Stainless Steel (S6)

"Copyright LNA, Inc. Drawings are proprietary and may not be copied or otherwise duplicated or used without express written permission."

CABCS1171

| DESCRIPTION | PRODUCT NO. | FASTENER INCLUDED |
|----------------------------------|-------------|-------------------|
| Flange-out | 1853 | S6 |
| CATALOG NUMBERING EXAMPLE (EA.): | | |
| Material | Fasteners | |
| T - 1853 - S6 | | |

Legrand
8319 State Rt. 4
Mascoutah, IL 62258 USA
800-658-4641
618-566-3250
Fax 618-566-4978
www.legrand.us/cablofil