

AISI Type 316L



GENERAL INFORMATION

NEMA TRAY TYPE: Two Rail Ladder
NEMA CLASS: 20C
MATERIAL: AISI Type 316L Stainless Steel
SIDE RAIL: 6" high with 1 3/4" top flange
LOAD DEPTH: 5"
BOTTOM: 1 1/4" wide hat rung
FINISH: Plain
CONSTRUCTION: Resistance welded
TRAY SERIES: Series 2 (5" tangent)

ENGINEERING INFORMATION

TRAY DESIGN: Construction and markings are per the latest edition of NEMA Standards Pub. VE1.
TRAY GROUNDING CAPABILITY: None. The N.E.C. does not recognize stainless steel cable tray as an equipment ground conductor.
CONNECTORS: Supplied in pairs with hardware. Splice resistance is less than 0.00033 ohms. Standard hardware: 3/8 in. type 316 stainless steel.
MECHANICAL PROPERTIES:
 One rail: $I_{x-x} = 3.4185in^3$ $S_{x-x} = 1.2324in^4$

TRAY WIDTH (IN.)	TRAY WEIGHT* (LBS./FT.)
6	5.36
9	5.54
12	5.71
18	6.05
24	6.39
30	7.25
36	7.69

*Based on 9" rung spacing

SAFE LOAD DATA (LBS./FT.) / SUPPORT SPAN (FT.) / DEFLECTION (IN.)																						
6	8	10	12	14	16	18	20	22	24	26	28	30										
	564	0.31	400	0.54	278	0.77	204	1.05	156	1.38	123	1.74	100	2.15	81	2.54	63	2.83				

CATALOG NUMBERING EXAMPLE:

09-3F35-0020-36

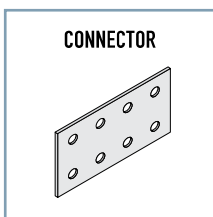
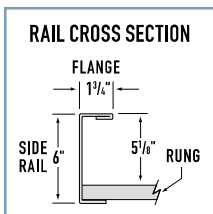
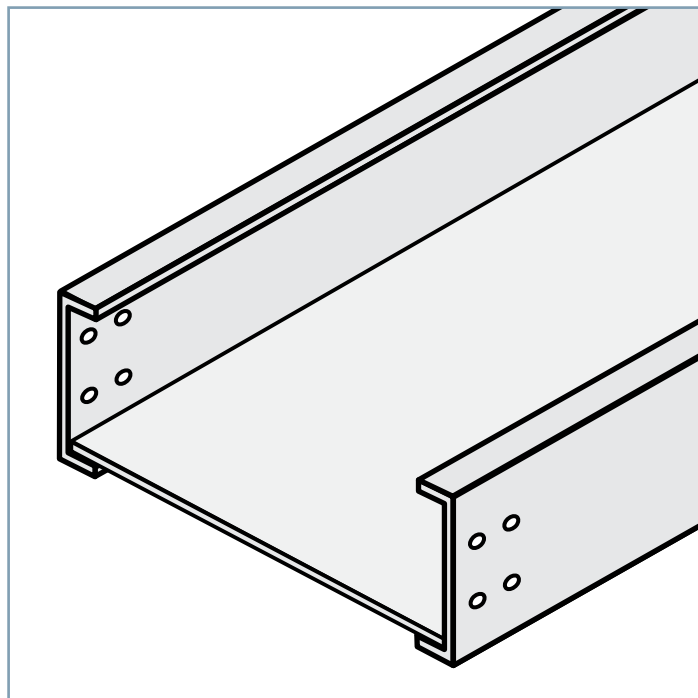
Width

Bottom Type	Tray System Number	Length	
06 - 6" Rung Spacing		0010 - 10'-0"	12 - 12"
09 - 9" Rung Spacing*		0012 - 12'-0"	18 - 18"
12 - 12" Rung Spacing		0020* - 20'-0"	24 - 24"
		0024 - 24'-0"	30 - 30"
		* Standard for Series 2	36 - 36"

* Standard rung spacing

Legrand/Cablofil
 Phone 800-658-4641
 618-566-3230
 Fax 618-566-3250
 8319 State Route 4
 Mascoutah, IL 62258 USA

Publication Date: 3/10
 Copyright © 2010 Legrand/Cablofil



AISI Type 316L



GENERAL INFORMATION

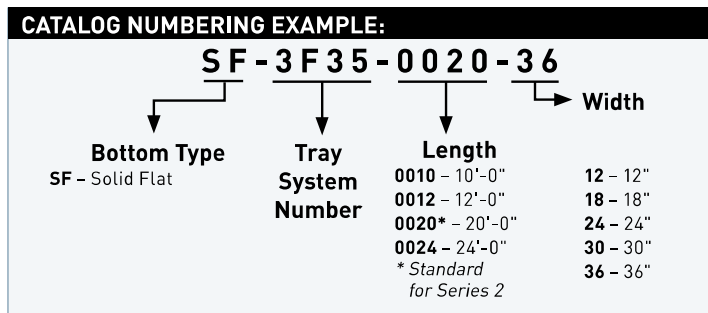
NEMA TRAY TYPE: Solid Flat
NEMA CLASS: 20C
MATERIAL: AISI Type 316L Stainless Steel
SIDE RAIL: 6" high with 1 3/4" top flange
LOAD DEPTH: 5"
BOTTOM: Solid Flat
FINISH: Plain
CONSTRUCTION: Arc welded
TRAY SERIES: Series 2 (5" tangent)

ENGINEERING INFORMATION

TRAY DESIGN: Construction and markings are per the latest edition of NEMA Standards Pub. VE1.
TRAY GROUNDING CAPABILITY: None. The N.E.C. does not recognize stainless steel cable tray as an equipment ground conductor.
CONNECTORS: Supplied in pairs with hardware. Splice resistance is less than 0.00033 ohms. Standard hardware: 3/8 in. type 316 stainless steel.
MECHANICAL PROPERTIES:
 One rail: I x-x = 3.4185in³ S x-x = 1.2324in⁴

TRAY WIDTH (IN.)	TRAY WEIGHT (LBS./FT.)
6	6.03
9	6.54
12	7.04
18	8.05
24	9.06
30	10.06
36	11.32

SAFE LOAD DATA (LBS./FT.) / SUPPORT SPAN (FT.) / DEFLECTION (IN.)																								
6	8		10		12		14		16		18		20		22		24		26		28		30	
	564	0.31	400	0.54	278	0.77	204	1.05	156	1.38	123	1.74	100	2.15	81	2.54	63	2.83						



Legrand/Cablofil

Phone 800-658-4641

618-566-3230

Fax 618-566-3250

8319 State Route 4

Mascoutah, IL 62258 USA

Publication Date: 3/10

Copyright © 2010 Legrand/Cablofil