

AISI Type 304L



**GENERAL INFORMATION**

**NEMA TRAY TYPE:** Two Rail Ladder  
**NEMA CLASS:** 20B, 16C  
**MATERIAL:** AISI Type 304L Stainless Steel  
**SIDE RAIL:** 6" high with 1 3/4" top flange  
**LOAD DEPTH:** 5"  
**BOTTOM:** 1 1/4" wide hat rung  
**FINISH:** Plain  
**CONSTRUCTION:** Resistance welded  
**TRAY SERIES:** Series 2 (5" tangent)

**ENGINEERING INFORMATION**

**TRAY DESIGN:** Construction and markings are per the latest edition of NEMA Standards Pub. VE1.  
**TRAY GROUNDING CAPABILITY:** None. The N.E.C. does not recognize stainless steel cable tray as an equipment ground conductor.  
**CONNECTORS:** Supplied in pairs with hardware. Splice resistance is less than 0.00033 ohms. Standard hardware: 3/8 in. type 316 stainless steel.  
**MECHANICAL PROPERTIES:** One rail:  $I_{x-x} = 2.7718in^3$   $S_{x-x} = 1.0001in^4$

TRAY WIDTH (IN.)	TRAY WEIGHT* (LBS./FT.)
6	4.42
9	4.60
12	4.77
18	5.11
24	5.45
30	6.31
36	6.75

\*Based on 9" rung spacing

SAFE LOAD DATA (LBS./FT.) / SUPPORT SPAN (FT.) / DEFLECTION (IN.)																							
6	8	10	12	14	16	18	20	22	24	26	28	30											
564	0.12	469	0.32	300	0.51	208	0.73	153	0.99	117	1.30	93	1.64	75	2.03	61	2.42	48	2.70				

**CATALOG NUMBERING EXAMPLE:**

**09-3F67-0020-36**

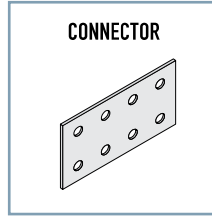
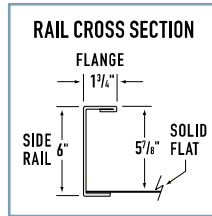
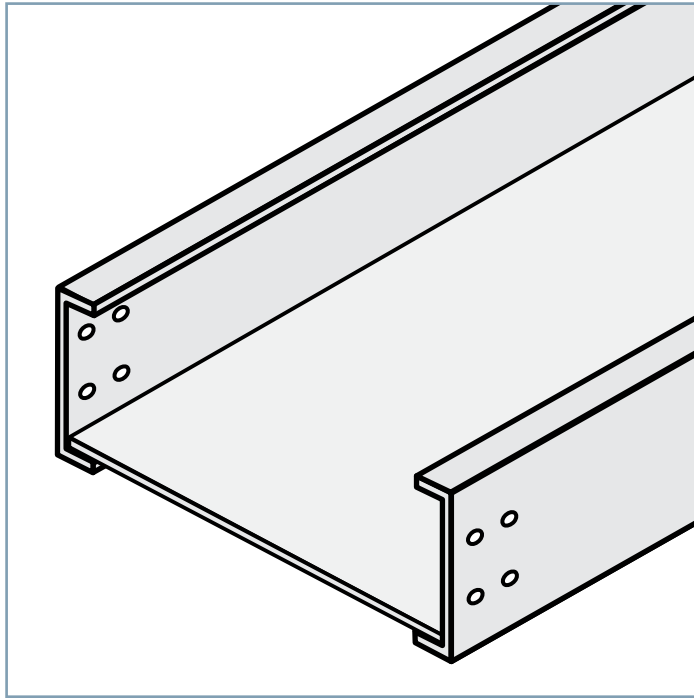
Width

<b>Bottom Type</b>	<b>Tray System Number</b>	<b>Length</b>	
06 - 6" Rung Spacing		0010 - 10'-0"	12 - 12"
09 - 9" Rung Spacing*		0012 - 12'-0"	18 - 18"
12 - 12" Rung Spacing		0020* - 20'-0"	24 - 24"
		0024 - 24'-0"	30 - 30"
		* Standard for Series 2	36 - 36"

\* Standard rung spacing

**Legrand/Cablofil**  
 Phone 800-658-4641  
 618-566-3230  
 Fax 618-566-3250  
 8319 State Route 4  
 Mascoutah, IL 62258 USA

Publication Date: 3/10  
 Copyright © 2010 Legrand/Cablofil



AISI Type 304L



**GENERAL INFORMATION**

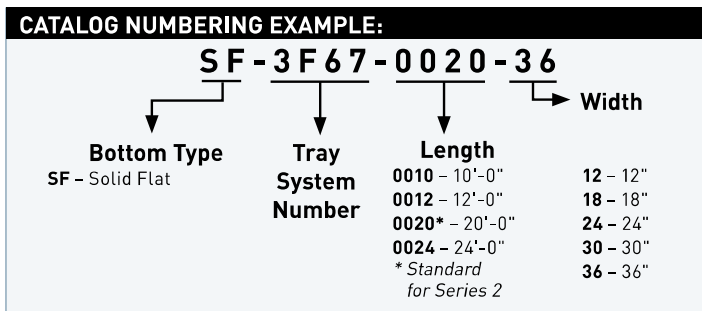
**NEMA TRAY TYPE:** Solid Flat  
**NEMA CLASS:** 20B, 16C  
**MATERIAL:** AISI Type 304L Stainless Steel  
**SIDE RAIL:** 6" high with 1 3/4" top flange  
**LOAD DEPTH:** 5"  
**BOTTOM:** Solid Flat  
**FINISH:** Plain  
**CONSTRUCTION:** Arc welded  
**TRAY SERIES:** Series 2 (5" tangent)

**ENGINEERING INFORMATION**

**TRAY DESIGN:** Construction and markings are per the latest edition of NEMA Standards Pub. VE1.  
**TRAY GROUNDING CAPABILITY:** None. The N.E.C. does not recognize stainless steel cable tray as an equipment ground conductor.  
**CONNECTORS:** Supplied in pairs with hardware. Splice resistance is less than 0.00033 ohms. Standard hardware: 3/8 in. type 316 stainless steel.  
**MECHANICAL PROPERTIES:**  
 One rail: I x-x = 2.7718in<sup>3</sup> S x-x = 1.0001in<sup>4</sup>

TRAY WIDTH (IN.)	TRAY WEIGHT (LBS./FT.)
6	5.09
9	5.60
12	6.10
18	7.11
24	8.12
30	9.12
36	10.38

SAFE LOAD DATA (LBS./FT.) / SUPPORT SPAN (FT.) / DEFLECTION (IN.)																							
6	8	10	12	14	16	18	20	22	24	26	28	30											
564	0.12	469	0.32	300	0.51	208	0.73	153	0.99	117	1.30	93	1.64	75	2.03	61	2.42	48	2.70				



**Legrand/Cablofil**  
 Phone 800-658-4641  
 618-566-3230  
 Fax 618-566-3250  
 8319 State Route 4  
 Mascoutah, IL 62258 USA

Publication Date: 3/10  
 Copyright © 2010 Legrand/Cablofil