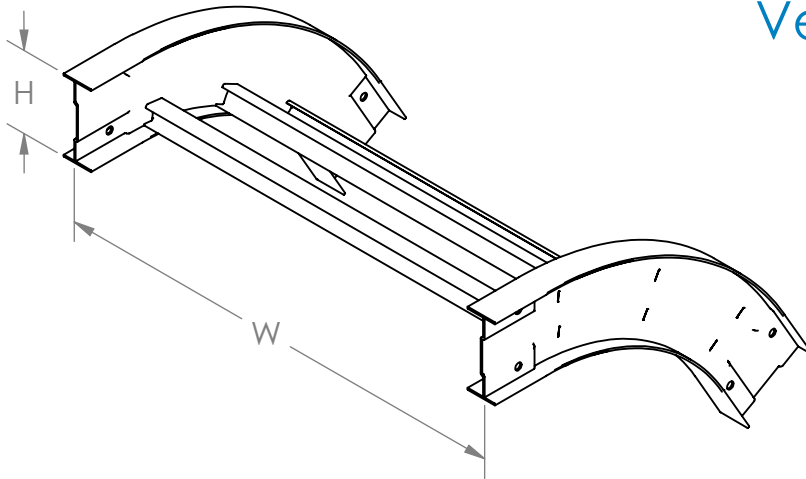
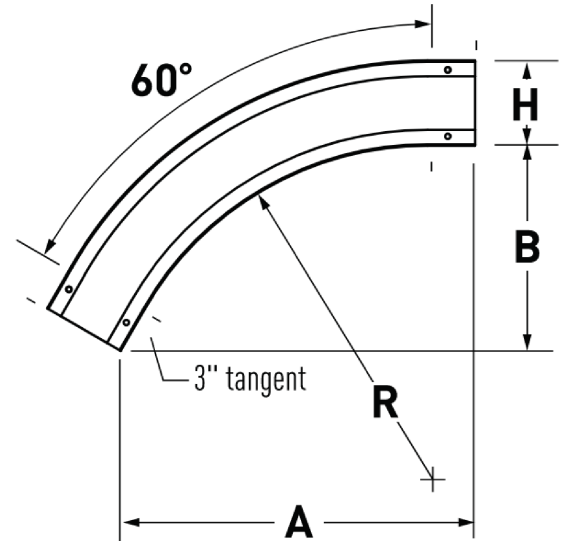


60VO Vertical Outside 60° Elbow



LD and SB



ITRAY VERTICAL INSIDE ELBOW CATALOG NUMBERING EXAMPLE:						
BOTTOM TYPE	←	LD - 6	A -	60VO12 - 06	→	WIDTH
VENTED						06 - 6"
LD - Ladder Rung		RAIL HEIGHT		FITTING CODE		09 - 9"
NON-VENTED		4 - 4"		RADIUS		12 - 12"
SB - Solid Bottom		5 - 5"		24 - 24"		18 - 18"
		6 - 6"	MATERIAL	36 - 36"		24 - 24"
		7 - 7"	A			30 - 30"
						36 - 36"

- **Material:** Aluminum Alloy 6063 and 5052
- **Finish:** Plain
- **Bottom:** LD: 1" wide rung
SB: Flat sheet over Rung
- **Construction:** Welded
- **Tray Design:** Tray construction and markings are per the latest edition of NEMA Standards Publication VE1, CSA C22.2 No. 126
- **Connectors:** All fittings are supplied with necessary connectors and fasteners
- **Fitting heights (H):** 4", 5", 6", 7"

Radius R	Rail Height H	A	B
12	4-7	15	8 5/8
24		25 1/4	14 5/8
36		35 5/8	20 5/8