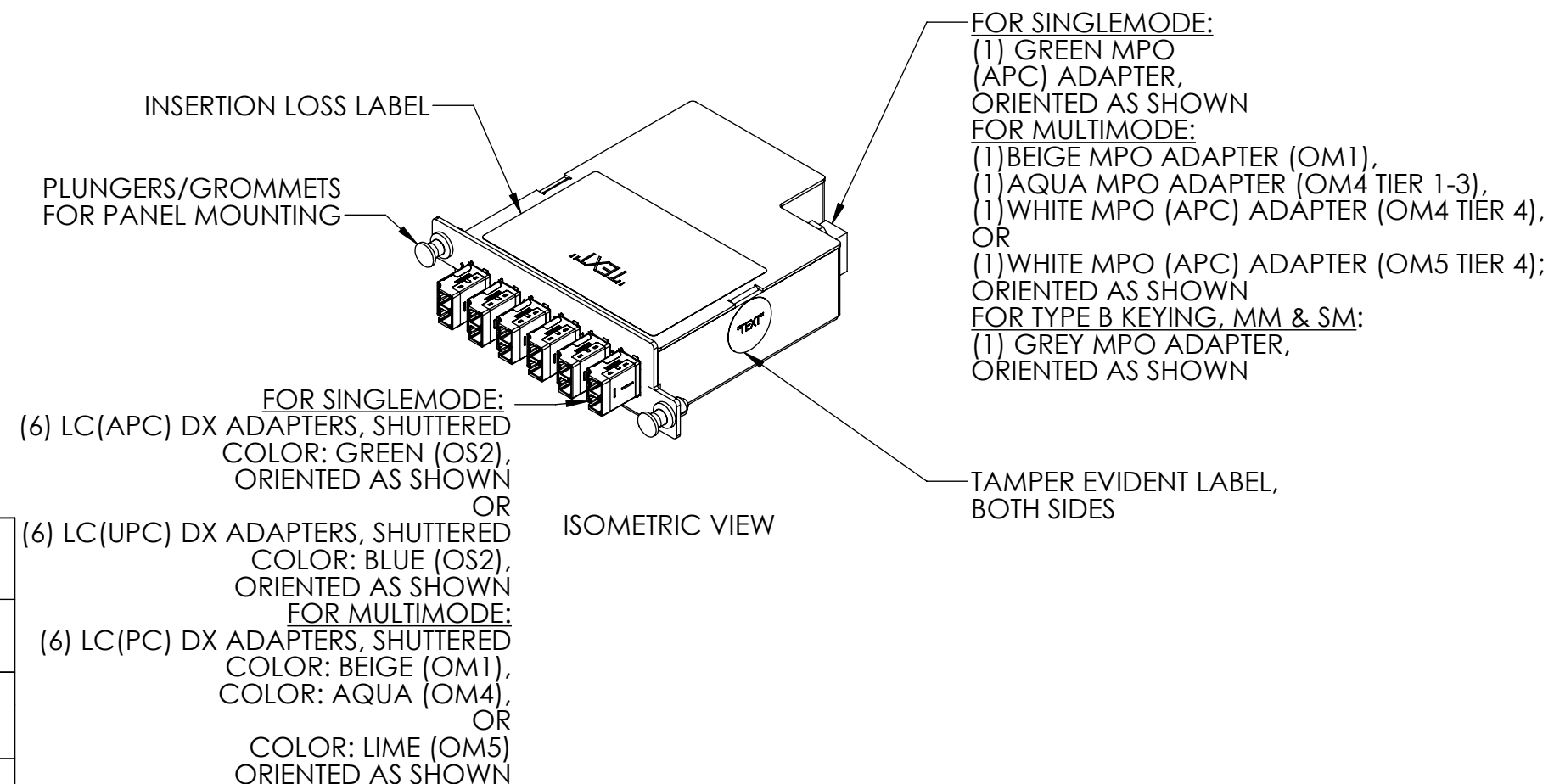


NOTES: UNLESS OTHERWISE SPECIFIED

- OPTICAL PERFORMANCE SHALL BE IN ACCORDANCE PER SPECIFICATION #71800061C. THE TIER LEVELS ARE SHOWN IN TABLE 2.
- THE "G" SUFFIX IN THE PART NUMBER DESIGNATES THE FIBER TYPE. SEE TABLE 2.
- PERFORMANCE TIER LEVEL, MPO TYPE IDENTIFIER, & POLARITY ("XXYZZ"): NO ENTRY MEANS THE STANDARD CONFIGURATION AS DEFINED IN TABLES 2, 3, & 4. NOTE: WHEN "XXYZZ" IS A 'STANDARD' CONDITION, "XXYZZ" SHALL BE OMITTED AS A SUFFIX TO LEGRAND ASSEMBLY PART NUMBER.
- A LABEL SHOWING THE INSERTION LOSS VALUES, BY PORT, IS PROVIDED AFFIXED TO THE CASSETTE.
- THE CASSETTE HOUSING IS METAL, POWDER COATED BLACK.
- FIBER #1 ON THE MPO CONNECTION IS POSITIONED TOWARDS THE REFERENCE MARK ON THE ADAPTER.
- THE MPO PORT LABEL IDENTIFIES THE MODE, CORE SIZE, CORRESPONDING FRONT PANEL PORT NUMBERS & POLARITY.
- ALL DIMENSIONS ARE IN INCHES.
- INTERNAL MPO CONNECTORS ARE WITH ALIGNMENT PINS.
- CONFIGURATIONS WITH POLARITY IDENTIFIER "UN" AND MPO TYPE IDENTIFIER "A" ARE DESIGNED FOR USE AT BOTH NEAR END AND FAR END WITH A TYPE B:1-1 TRUNK.
- US PATENT NUMBER 8,398,039 AND FOR SINGLE MODE QUANTUM, PATENT PENDING.

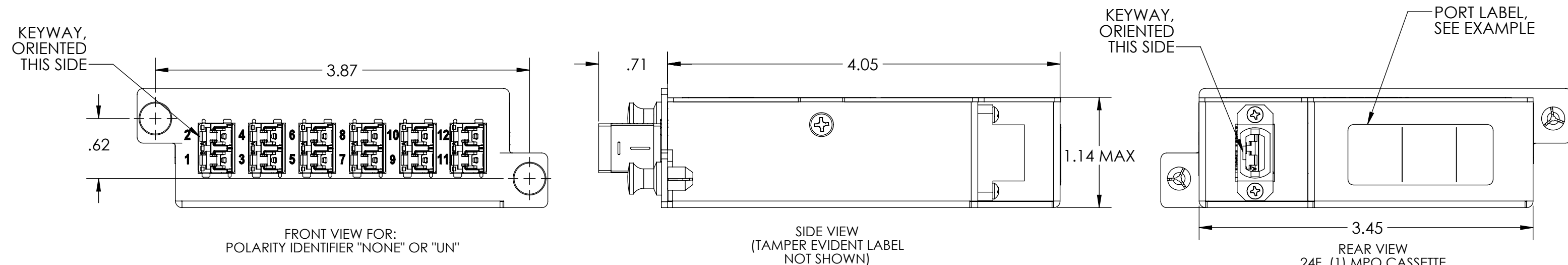
"BBB"	FRONT PNL ADAPTER
LA	LC (APC)
LC	LC (PC OR UPC)

"G"	TYPE	"Y"	TIER	
A	MM 62.5/125 (OM1)	NONE	1	INFINIUM CORE
		1	1	
H	MM 50/125 (OM4)	NONE	3	INFINIUM ULTRA
		3	3	
		4	4	INFINIUM QUANTUM
J	SM 9/125 (OS2)	NONE	1	INFINIUM CORE
		1	1	
		2	2	INFINIUM ULTRA
W	MM 50/125 (OM5)	3	3	INFINIUM QUANTUM
		NONE	4	INFINIUM QUANTUM
4	4			



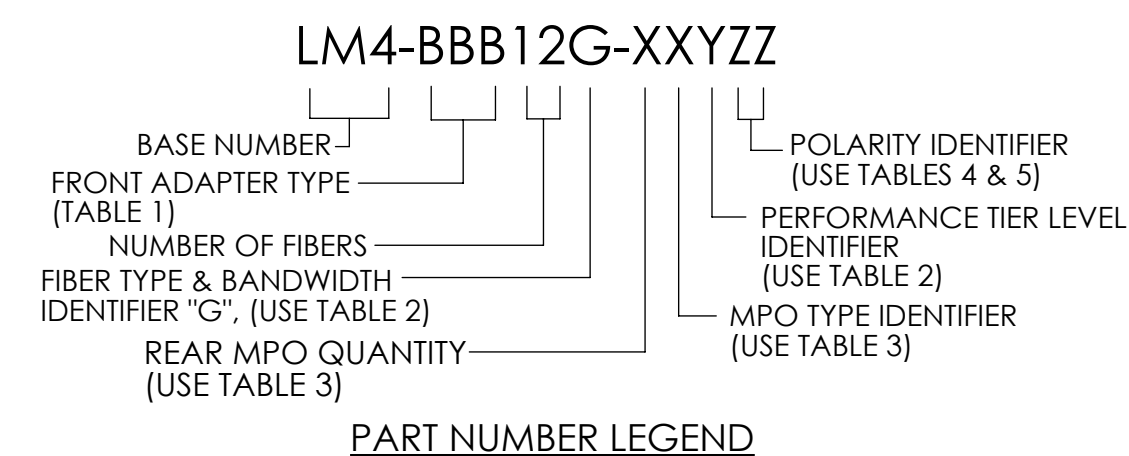
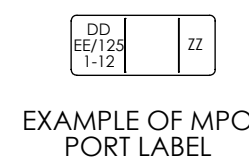
"XX"	"TYPE"	"KEYING"	QTY OF REAR ADAPTERS
NONE	TYPE A	KEY UP TO KEY DOWN	1
1A	TYPE B	KEY UP TO KEY UP	1

"ZZ"	POLARITY
NONE	UNIVERSAL
UN	UNIVERSAL



INTERNAL FIBER CONNECTION		
MPO REAR PANEL	LC PORT #**	
PORT	FIBER POS #	(ZZ="UN")
1-12	1	1
	2	3
	3	5
	4	7
	5	9
	6	11
	7	12
	8	10
	9	8
	10	6
	11	4
	12	2

\*\* LC PORT NUMBERING:  
PER FRONT PANEL MARKING



\*\*\* NOTICE \*\*\*  
THIS DOCUMENT CONTAINS CONFIDENTIAL AND/OR PROPRIETARY INFORMATION INTENDED FOR USE ONLY BY THE INDIVIDUAL(S) PROVIDED. NEITHER THIS DOCUMENT, NOR ANY INFORMATION CONTAINED HEREIN, MAY BE COPIED, DISTRIBUTED, DISCLOSED TO ANY THIRD PARTY OR USED IN ANY MANNER OTHER THAN FOR WHICH IT HAS BEEN PROVIDED, WITHOUT THE PRIOR WRITTEN CONSENT OF LEGRAND INC.

NAME	DATE	SIZE	CAD FILE	DWG NO	REV
DWN TK	11/19/2019	C	LM4BBB12G1XYZZC	LM4-BBB12G-XXYZZ	02
CHK RJG	11/21/2019				
APPR LH	11/22/2019				

<b>legrand</b> ®		WWW.LEGRAND.US	
TITLE			
CASS, M4, 12, MPO(M)-LC, DX			
SCALE	1:2	SHEET	1 OF 1