

## Evolution Series – Designed to go the distance

Designed for adapting Evolution Series Poke-Thru Devices, Resource RFB E Series Floor Boxes, and CRFB Series Floor Boxes to abusive environments, Evolution Series Heavy Duty Round Covers provide high strength and corrosion resistant access to power, communications, and audio/video services recessed below floor level.

Evolution Series Heavy Duty Round Covers are the perfect fit where heavy equipment use is common and the layout of the space changes frequently. These covers are an ideal solution for airport terminals, ballrooms, and entertainment venues.

### Features & Benefits

- **High Strength.** 8,000 pound load rating with a 1.5x safety factor. Suitable for repeated loading by chair storage carts, workman carts, and scissor lifts.
- **Corrosion Resistant.** Solid stainless steel construction ensures that the cover will be unaffected by road salt, floor cleaners and other chemicals.
- **Wear Resistant.** Solid stainless steel and castings eliminate the worry of worn, discolored finishes.
- **Surface and Flush Style Cover Assemblies.** The surface style covers are designed for use with carpet or concrete floors. A flush style cover is designed for use in tile applications and allows the Evolution Series Poke-Thru Devices to be adjusted to the same level as the top surface of the floor covering. The flush style cover is designed to be used in higher traffic applications, where a low-profile is a must.
- **Terrazzo Ring.** Creates a cast-in-place void in the terrazzo pour, which allows for flush installation of the cover assembly. Ring remains in place to protect the edge of the terrazzo around the cover assembly.
- **Self-closing Cover Assemblies.** Closes to prevent a tripping hazard or potential damage in high traffic areas.
- **6-inch and 8-inch Versions.** Allows attachment to 6AT and 8AT poke-thru devices, RFBA2C, RFBA4C, RFBA6C, RFBA10C, CRFB2 and CRFB4 floor boxes.
- **TopGuard™ Protection.** All Evolution Series Poke-Thru Devices, like every Wiremold Poke-Thru Device, meet and exceed UL scrub water exclusion requirements for tile, carpet, and wood covered floors.
- **Meets ADA Accessibility Guidelines.** Wide trim flange is designed to meet the ADA Accessibility Guidelines as it pertains to Section 303 which addresses changes in floor and ground surface levels. The poke-thru trim flanges are beveled so the slope is no greater than 1:2 ratio.
- **UL Listed and UL Fire Classified to U.S. and Canadian safety standards.** UL Fire rated for up to 2-hour rated floors maintains the fire classification of the floor.

### Vertical Markets

- Transportation
- Hospitality
- Healthcare
- Entertainment
- Retail



Download this product's PEP ecopassport® environmental product declaration at [www.legrand.us/resources-and-downloads](http://www.legrand.us/resources-and-downloads). This declaration conforms with ISO 14025 and 14040 and is in alignment with EN 15804.

### Compliance

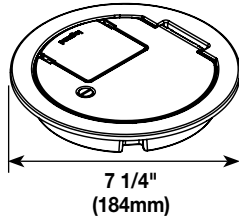
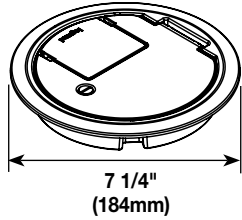


cULus Listed, Metallic Outlet Box File Number E2961. Guide QCIT.

cULus Listed Nonmetallic Outlet Boxes & Fittings  
Classified for Fire Resistance: File R8209, Guide CEYY.

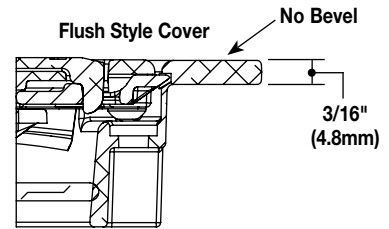
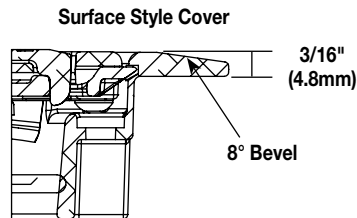
**Evolution Series Heavy Duty 6" Round Cover Assemblies Ordering Information**

Catalog No./Item	Description/Specifications	Catalog No./Item	Description/Specifications
<b>6CTCHDSS</b>	<p><b>Stainless Steel Surface Style Cover Assembly</b> – High load cover designed to attach to the 6STC, 6STCP, and 6STCPAV Poke-Thru Stem Assemblies, as well as RFBA2C, RFBA4C and CRFB2 floor boxes.</p> <ul style="list-style-type: none"> <li>• Cover is made from stainless steel.</li> <li>• Equipped with a dampened self-closing hinge.</li> <li>• 8° beveled edge meets ADA guidelines and reduces tripping hazards.</li> <li>• Designed to sit on top of finished floor surfaces such as: carpet, tile, wood, polished concrete and terrazzo</li> </ul>	<b>6CTHDSS</b>	<p><b>Stainless Steel Flush Style Cover Assembly</b> – High load cover designed to attach to the 6STC, 6STCP, and 6STCPAV Poke-Thru Stem Assemblies, as well as RFBA2C, RFBA4C and CRFB2 floor boxes.</p> <ul style="list-style-type: none"> <li>• Cover is made from stainless steel.</li> <li>• Equipped with a dampened self-closing hinge.</li> <li>• Designed to sit flush with finished floor coverings such as: carpet, tile, wood and terrazzo. (Terrazzo requires use of the 6CT-CTR Terrazzo Ring.)</li> </ul>



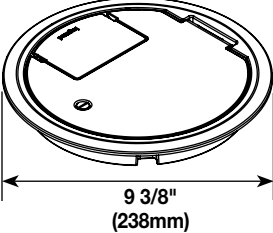
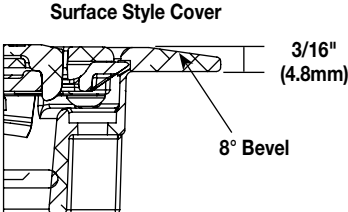
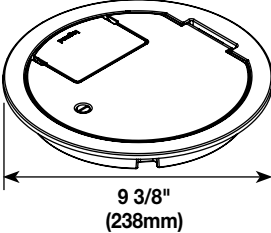
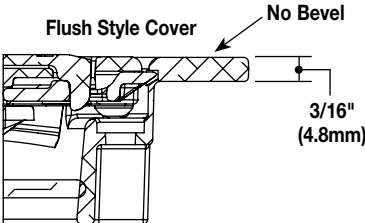
**Country of Origin: China.**

**Country of Origin: China**



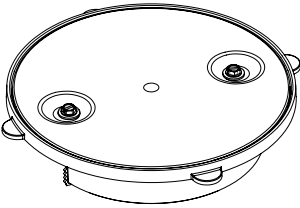
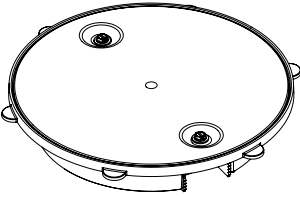
**NOTE: Includes 6TS Tile Shim.**

## Evolution Series Heavy Duty 8" Round Cover Assemblies Ordering Information

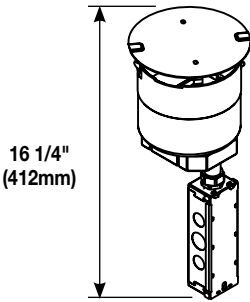
Catalog No./Item	Description/Specifications	Catalog No./Item	Description/Specifications
<b>8CTCHDSS</b> 	<p><b>Stainless Steel Surface Style Cover Assembly</b> – High load cover designed to attach to the 8STC and 8STCP Poke-Thru Stem Assemblies, as well as RFBA6C, RFBA10C and CRFB4 floor boxes. Cover is made from stainless steel.</p> <ul style="list-style-type: none"> <li>• Equipped with a dampened self-closing hinge.</li> <li>• 8° beveled edge meets ADA guidelines and reduces tripping hazards.</li> <li>• Designed to sit on top of finished floor surfaces such as: carpet, tile, wood, polished concrete and terrazzo.</li> </ul> <p><b>Country of Origin: China</b></p> 	<b>8CTHDSS</b> 	<p><b>Stainless Steel Flush Style Cover Assembly</b> – High load cover designed to attach to the 8STC and 8STCP Poke-Thru Stem Assemblies, as well as RFBA6C, RFBA10C and CRFB4 floor boxes.</p> <ul style="list-style-type: none"> <li>• Cover is made from stainless steel.</li> <li>• Equipped with a dampened self-closing hinge.</li> <li>• Designed to sit flush with finished floor coverings such as: carpet, tile, wood and terrazzo. (Terrazzo requires use of the 8CT-CTR Terrazzo Ring.)</li> </ul> <p><b>Country of Origin: China</b></p> 

**NOTE: Includes 8TS Tile Shim.**

### Evolution Series Heavy Duty Cover Accessories

Catalog No./Item	Description/Specifications
<b>6CT-CTR</b> 	<b>6" Terrazzo Ring –</b> <ul style="list-style-type: none"> <li>• Nonmetallic ring for use on terrazzo floor applications with Heavy Duty Flush Style Covers.</li> </ul> <b>Country of Origin: USA</b>
<b>8CT-CTR</b> 	<b>8" Terrazzo Ring –</b> <ul style="list-style-type: none"> <li>• Nonmetallic ring for use on terrazzo floor applications with Heavy Duty Flush Style Covers.</li> </ul> <b>Country of Origin: USA</b>

### Evolution Series 6" Poke-Thru Devices Ordering Information

Catalog No./Item	Description/Specifications
<b>6STC</b> 	<b>Recessed Unwired Poke-Thru Stem Assembly –</b> <ul style="list-style-type: none"> <li>• Designed to be installed in a concrete floor which has access in the ceiling of the floor below for running power, data and A/V services.</li> <li>• Poke-thru device installs into a 6" (152mm) to a 6 1/8" (155mm) diameter hole.</li> <li>• The unit comes complete with a disposable sheet metal cover, and three (3) empty compartments that are recessed 4" (102mm) below the floor surface level and can be configured to accept power, data, or audio/video devices.</li> <li>• Designed to work with the 6CTC2, 6CT2 and 6CFFTC style covers.</li> </ul> <b>Country of Origin: USA</b>  <b>INCLUDED</b> <b>For Side Compartments:</b> <ul style="list-style-type: none"> <li>• No Device Plates are included</li> </ul> <b>For Center Compartment:</b> <ul style="list-style-type: none"> <li>• No Device Plates are included</li> </ul> <b>For Bottom Feed Compartment:</b> <ul style="list-style-type: none"> <li>• One (1) 5PTHA 1/2-Gang Pass-Through Housing Assembly</li> <li>• One (1) 1PTHA 1-Gang Pass-Through Housing Assembly</li> <li>• One (1) 575CHA 1/2-Gang 3/4" Conduit Housing Assembly**</li> </ul>

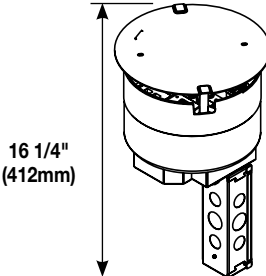
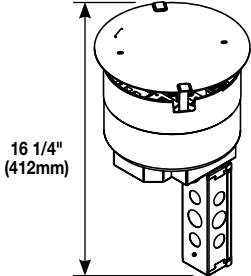
**NOTE: UL Fire Classified for up to 2-hour rated floors.**

**NOTE: Receptacles can be wired as a standard or isolated ground device.**

## Evolution Series 6" Poke-Thru Devices Ordering Information

Catalog No./Item	Description/Specifications
6STCPAV	<p><b>Recessed Prewired A/V Poke-Thru Stem Assembly –</b></p> <ul style="list-style-type: none"> <li>• Designed to be installed in a concrete floor which has access in the ceiling of the floor below for running power, data and A/V services.</li> <li>• Poke-thru device installs into a 6" (152mm) to a 6 1/8" (155mm) diameter hole.</li> <li>• The unit comes complete with a disposable sheet metal cover, one (1) pre-wired, pre-installed duplex receptacle and various low voltage and AV devices plates.</li> <li>• All of the devices are recessed 4" (102mm) below the floor surface level.</li> <li>• Designed to work with the 6CTC2 and 6CT2 style covers.</li> </ul> <p><b>Country of Origin: USA</b></p> <p><b>INCLUDED</b></p> <p><b>For Side Compartments:</b></p> <ul style="list-style-type: none"> <li>• One (1) proprietary 20A Duplex Receptacle installed</li> <li>• 682A Device Plate</li> <li>• 68MAAP Device Plate</li> </ul> <p><b>For Center Compartment:</b></p> <ul style="list-style-type: none"> <li>• 6DEC Mounting Plate</li> <li>• 6AAP Mounting Plate</li> <li>• 68MAAP Device Plate</li> </ul> <p><b>For Bottom Feed Compartment:</b></p> <ul style="list-style-type: none"> <li>• One (1) 5PTHA 1/2-Gang Pass-Through Housing Assembly</li> <li>• One (1) 1PTHA 1-Gang Pass-Through Housing Assembly</li> <li>• One (1) 575CHA 1/2-Gang 3/4" Conduit Housing Assembly**</li> </ul>
<p><b>NOTE: UL Fire Classified for up to 2-hour rated floors.</b></p>	
<p><b>NOTE: Receptacles can be wired as a standard or isolated ground device.</b></p>	
6STCP	<p><b>Recessed Prewired Poke-Thru Stem Assembly –</b></p> <ul style="list-style-type: none"> <li>• Designed to be installed in a concrete floor which has access in the ceiling of the floor below for running power, data and A/V services.</li> <li>• Poke-thru device installs into a 6" (152mm) to a 6 1/8" (155mm) diameter hole.</li> <li>• The unit comes complete with a disposable sheet metal cover, two (2) pre-wired, pre-installed duplex receptacles and various low voltage devices plates.</li> <li>• All of the devices are recessed 4" (102mm) below the floor surface level.</li> <li>• Designed to work with the 6CTC2 and 6CT2 style covers.</li> </ul> <p><b>Country of Origin: USA</b></p> <p><b>INCLUDED</b></p> <p><b>For Side Compartments:</b></p> <ul style="list-style-type: none"> <li>• Two (2) proprietary 20A Duplex Receptacles installed</li> </ul> <p><b>For Center Compartment:</b></p> <ul style="list-style-type: none"> <li>• One (1) 6ACT8A Mounting Plate</li> <li>• One (1) 6TRAC Mounting Plate</li> <li>• One (1) 6SER Mounting Plate</li> </ul> <p><b>For Bottom Feed Compartment:</b></p> <ul style="list-style-type: none"> <li>• One (1) 5BLH 1/2-Gang Blank Housing*</li> <li>• One (1) 1PTHA 1-Gang Pass-Through Housing Assembly</li> <li>• One (1) 575CHA 1/2-Gang 3/4" Conduit Housing Assembly**</li> </ul>
<p><b>NOTE: UL Fire Classified for up to 2-hour rated floors.</b></p>	
<p><b>NOTE: Receptacles can be wired as a standard or isolated ground device.</b></p>	
<p><b>NOTE: For more information on Device Plates and Bottom Feed Plates and on the additional options available, see the Device Plates and Bottom Feed Plates sections found in ED1763.</b></p>	
<p>** Also includes junction box attached to the 3/4" conduit.</p>	

## Evolution Series 8" Poke-Thru Devices Ordering Information

Catalog No./Item	Description/Specifications
8STC	<p><b>Recessed Unwired Poke-Thru Stem Assembly –</b></p> <ul style="list-style-type: none"> <li>• Designed to be installed in a concrete floor which has access in the ceiling of the floor below for running power, data and A/V services.</li> <li>• Poke-thru device installs into an 8" (203mm) to an 8 1/8" (206mm) diameter hole.</li> <li>• The unit comes complete with a disposable sheet metal cover, five (5) open compartments for additional power, data or AV devices.</li> <li>• All five compartments are recessed 4" (102mm) below the floor surface level.</li> <li>• Designed to work with the 8CTC2 and 8CT2 style covers (sold separately).</li> </ul>
 <p>16 1/4" (412mm)</p>	<p><b>Country of Origin: USA</b></p>
<p><b>NOTE: UL Fire Classified for up to 2-hour rated floors.</b></p>	<p><b>INCLUDED</b></p> <p><b>For Side Compartments:</b></p> <ul style="list-style-type: none"> <li>• No Device Plates are included</li> </ul> <p><b>For Center Compartment:</b></p> <ul style="list-style-type: none"> <li>• No Device Plates are included</li> </ul> <p><b>For Bottom Feed Compartment:</b></p> <ul style="list-style-type: none"> <li>• One (1) 5PTHA 1/2-Gang Pass-Through Housing Assembly</li> <li>• Three (3) 1PTHA 1-Gang Pass-Through Housing Assembly</li> <li>• One (1) 575CHA 1/2-Gang 3/4" Conduit Housing Assembly**</li> <li>• One (1) 8DIV 8" Divider</li> </ul>
8STCP	<p><b>Recessed Unwired Poke-Thru Stem Assembly –</b></p> <ul style="list-style-type: none"> <li>• Designed to be installed in a concrete floor which has access in the ceiling of the floor below for running power, data and A/V services.</li> <li>• Poke-thru device installs into an 8" (203mm) to an 8 1/8" (206mm) diameter hole.</li> <li>• The unit comes complete with a disposable sheet metal cover, five (5) open compartments for additional power, data or AV devices.</li> <li>• All five compartments are recessed 4" (102mm) below the floor surface level.</li> <li>• Designed to work with the 8CTC2 and 8CT2 style covers (sold separately).</li> </ul>
 <p>16 1/4" (412mm)</p>	<p><b>Country of Origin: USA</b></p>
<p><b>NOTE: UL Fire Classified for up to 2-hour rated floors.</b></p>	<p><b>INCLUDED</b></p> <p><b>For Side Compartments:</b></p> <ul style="list-style-type: none"> <li>• Two (2) proprietary 20AMP Duplex Receptacles installed</li> </ul> <p><b>For Center Compartment:</b></p> <ul style="list-style-type: none"> <li>• No Device Plates are included</li> </ul> <p><b>For Bottom Feed Compartment:</b></p> <ul style="list-style-type: none"> <li>• One (1) 5BLH 1/2-Gang Blank Housing</li> <li>• Three (3) 1PTHA 1-Gang Pass-Through Housing Assembly</li> <li>• One (1) 575CHA 1/2-Gang 3/4" Conduit Housing Assembly**</li> <li>• One (1) 8DIV 8" Divider</li> </ul>
<p><b>NOTE: Receptacles can be wired as a standard or isolated ground device.</b></p>	

**NOTE: For more information on Device Plates and Bottom Feed Plates and on the additional options available, see the Device Plates and Bottom Feed Plates sections found in ED1764.**

\*\* Also includes junction box attached to the 3/4" conduit.

## Cablings Specifications

### Copper Cross Section:

The copper cross-sectional area determines the amount of wire fill capacity in a poke-thru device. Unlike other wire and cable management systems that utilize wire fill capacity, a poke-thru device is UL tested under fire conditions to determine the maximum amount of copper conductors that will pass through a poke-thru device, while maintaining the fire-rating of the floor assembly. All Legrand Poke-Thru Devices are UL Classified to U.S. and Canadian safety standards.

Copper Cross-Sectional Area of Commonly Used Conductors	
Size	Solid
#24	0.00032 sq. in. (.206mm <sup>2</sup> )
#23	0.00040 sq. in. (.258mm <sup>2</sup> )
#22	0.00050 sq. in. (.322mm <sup>2</sup> )
#14	0.00323 sq. in. (2.083mm <sup>2</sup> )
#12	0.00512 sq. in. (3.303mm <sup>2</sup> )
#10	0.00815 sq. in. (5.258mm <sup>2</sup> )
# 8	0.01296 sq. in. (8.361mm <sup>2</sup> )

NOTE: Use above values for solid or stranded conductors.

### 6AT COPPER CROSS-SECTION

	OUTER CHANNELS	CENTER CHANNEL
Max Copper X-Section	0.0154 sq. in. (9.9mm <sup>2</sup> )	0.0387 sq. in. (24.97 mm <sup>2</sup> )
Max # Conductors	(3) 12 AWG	(12) 14 AWG

### 8AT COPPER CROSS-SECTION

	OUTER CHANNELS	CENTER CHANNEL
Max Copper X-Section	0.0154 sq. in. (9.9mm <sup>2</sup> )	0.0775 sq. in. (16.60mm <sup>2</sup> )
Max # Conductors	(3) 12 AWG	(24) 14 AWG

NOTE: When using conductor sizes other than listed above, the aggregate cross-sectional area of the copper conductors shall not exceed the cross-sectional area listed.

## Flooring Specifications

### 6AT CORE HOLE SIZES

FLOOR TYPE	CORE SIZE (Min.)	CORE SIZE (Max.)
Covered Floors (Carpet, Tile or Wood)	6" (152mm)	6 1/8" (154mm)
Bare Concrete or Terrazzo	6" (152mm)	6 1/8" (154mm)

### 8AT CORE HOLE SIZES

FLOOR TYPE	CORE SIZE (Min.)	CORE SIZE (Max.)
Covered Floors (Carpet, Tile or Wood)	8" (203mm)	8 1/8" (206mm)
Bare Concrete or Terrazzo	8" (203mm)	8 1/8" (206mm)

**CAUTION:** These devices are suitable for 1-, 1 1/2-, and 2-hour rated floor assemblies as described in the UL Fire Resistance directory for each service. These devices meet all UL scrub water requirements, but are not suitable for wet or damp locations, or other areas subject to saturation with water or other liquids, such as commercial kitchens.

**Floor Coverings:** The poke-thru device is fire rated for concrete floor coverings. For floor coverings greater than 1" (25mm), consult factory.

**UL Certification:** To view the UL certification, please visit [www.UL.com/Database](http://www.UL.com/Database). Enter "Wiremold" as the company name and "CEYY" as the UL Category Code.

Poke-thru devices and abandonment fittings are for use with 1-, 1 1/2-, or 2-hour rated unprotected reinforced concrete floor and 1-, 1 1/2- or 2-hour rated floors employing unprotected steel floor units and concrete topping (D900-Series Designs), or concrete floors with suspended ceilings. (Fire resistive designs with suspended ceilings should have provisions for accessibility in the ceiling area below the poke-thru fittings.)

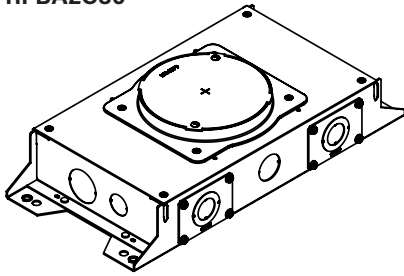
The assembled Poke-Thru stem and service fitting or the abandonment fittings will not reduce the ratings of the floor assembly when the thickness and type of concrete (required for the specific rating) are within the specified limits and the fittings are installed as specified:

- 1. Spacing** – Minimum of 2' (610mm) OC and not more than one unit per 65 square feet (6 square meters) of floor area in each span.
- 2. Concrete** – Minimum thickness of structural concrete topping of 2 1/4" (57mm) over metal deck or a minimum 3" thick reinforced concrete slab. Unit weight of concrete to be 110 to 155 pcf.
- 3. Installation** – Mounted in a 6" (152mm) diameter core drilled hole in concrete per installation instructions accompanying the fittings or abandonment fittings. For use with power circuits, data and/or telephone cables as tabulated below.

NOTE: The material that is used in Wiremold® poke-thru devices is not listed under the directory for Fire Stopping Material because the poke-thru device is UL Classified as "Outlet Boxes and Fittings Classified For Fire Resistance (CEYY)". The pass/fail criteria comes from UL263. The pass criteria is that the poke-thru unit cannot exceed 325° F. above ambient before the concrete slab (or deck) reaches this same temperature. Some poke-thru devices are tested for 2 hours while others are tested for 4 hours. The intumescent material has never been tested as a fire-stopping material as a stand-alone device. This material is designed to work as a unit with the entire poke-thru device.

## RFBA Series Round Activation Floor Boxes Ordering Information

### RFBA2C30



**RFBA 2-Gang Round Floor Box, Standard 3.75" Depth** – Steel floor box designed for above grade installations. Features 2-gangs of box capacity with at least 3 1/16" available behind device plates. Fully adjustable before and after concrete pour. Designed for carpet, wood flooring, tile, terrazzo and polished concrete applications. Use with Evolution™ Series 6" round covers. When ordering device plates for box, 2 blank device plates (Cat. No. RFBAB) must also be ordered to seal of wire and cable routing passageways.

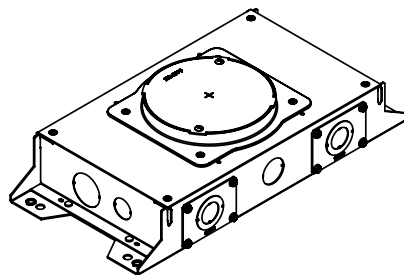
**Concrete Pour:** Minimum concrete pour is 3.75"

Sold Separately:

- Evolution™ Series 6CTC & 6CT Round Covers
- Device Plates

**Country of Origin: Mexico**

### RFBA2C30OG



**RFBA 2-Gang On-Grade Round Floor Box, Standard 3.75" Depth** – Steel floor box designed for on-grade installations with a fusion-bonded epoxy for use on metal reinforcement bar and related accessories before encapsulating in concrete. Features 2-gangs of box capacity with at least 3 1/16" available behind device plates. Fully adjustable before and after concrete pour. Designed for carpet, wood flooring, tile, terrazzo and polished concrete applications. Use with Evolution™ Series 6" round covers. When ordering device plates for box, 2 blank device plates (Cat. No. RFBAB) must also be ordered to seal of wire and cable routing passageways.

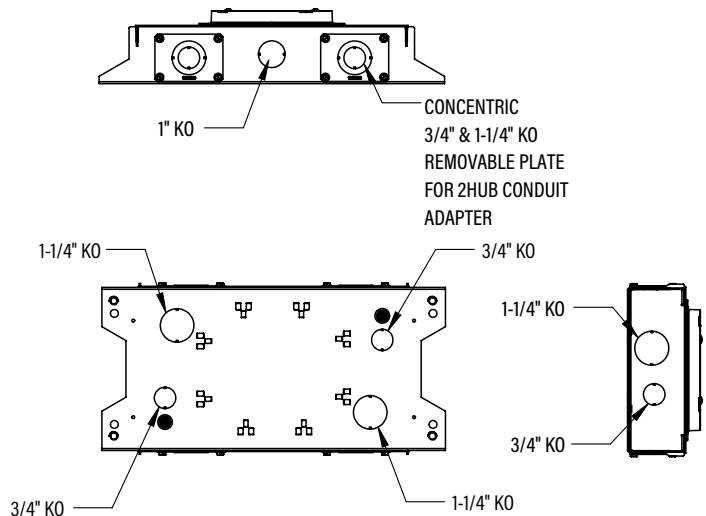
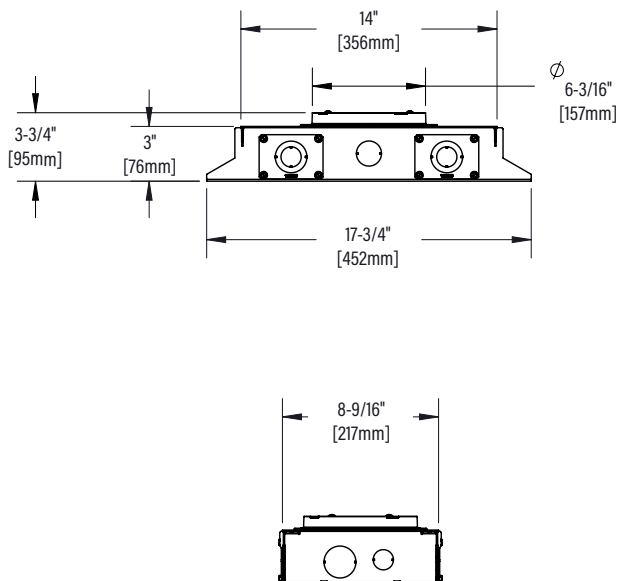
**Concrete Pour:** Minimum concrete pour is 3.75"

Sold Separately:

- Evolution™ Series 6CTC & 6CT Round Covers
- Device Plates

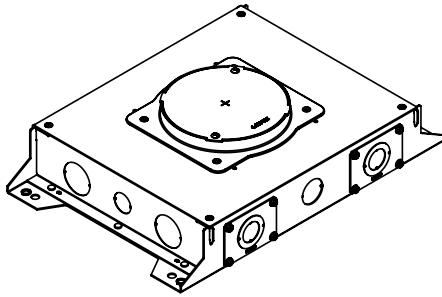
**Country of Origin: Mexico**

## Dimensions:



## RFBA Series Round Activations Floor Boxes Ordering Information

### RFBA4C30



**RFBA 4-Gang Round Floor Box, Standard 3.75" Depth** - Steel floor box designed for above grade installations. Features 4-gangs of box capacity with at least 2 9/16" available behind device plates. Fully adjustable before and after concrete pour. Designed for carpet, wood flooring, tile, terrazzo and polished concrete applications. Use with Evolution™ Series 6" round covers.

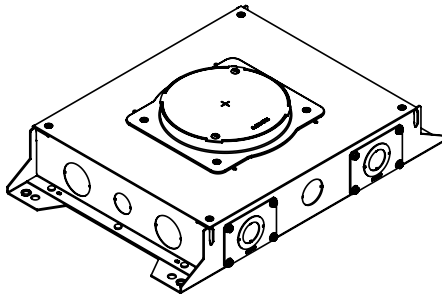
**Concrete Pour:** Minimum concrete pour is 3.75"

Sold Separately:

- Evolution™ Series 6CTC & 6CT Round Covers
- Device Plates

**Country of Origin:** Mexico

### RFBA4C30OG



**RFBA 4-Gang On-Grade Round Floor Box, Standard 3.75" Depth** - Steel floor box designed for on-grade installations with a fusion-bonded epoxy for use on metal reinforcement bar and related accessories before encapsulating in concrete. Features 4-gangs of box capacity with at least 2 9/16" available behind device plates. Fully adjustable before and after concrete pour. Designed for carpet, wood flooring, tile, terrazzo and polished concrete applications. Use with Evolution™ Series 6" round covers.

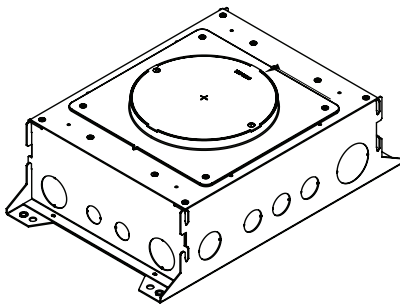
**Concrete Pour:** Minimum concrete pour is 3.75"

Sold Separately:

- Evolution™ Series 6CTC & 6CT Round Covers
- Device Plates

**Country of Origin:** Mexico

### RFBA10C55



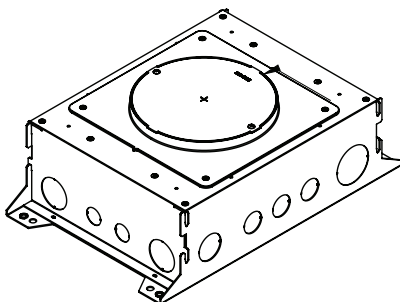
**RFBA 10-Gang Round Floor Box, 6.25" Depth** - Steel floor box designed for above grade installations. Features 10-gangs of box capacity with at least 2 1/2" available behind device plates. Fully adjustable before and after concrete pour. Designed for carpet, wood flooring, tile, terrazzo and polished concrete applications. Use with Evolution™ Series 8" round covers.

Sold Separately:

- Evolution™ Series 8CTC & 8CT Round Covers
- Device Plates

**Country of Origin:** Mexico

### RFBA10C55OG



**RFBA 10-Gang Round On-Grade Floor Box, 6.25" Depth** - Steel floor box designed for on-grade installations with a fusion-bonded epoxy for use on metal reinforcement bar and related accessories before encapsulating in concrete. Features 10-gangs of box capacity with at least 2 1/2" available behind device plates. Fully adjustable before and after concrete pour. Designed for carpet, wood flooring, tile, terrazzo and polished concrete applications. Use with Evolution™ Series 8" round covers.

**Concrete Pour:** Minimum concrete pour is 6.25"

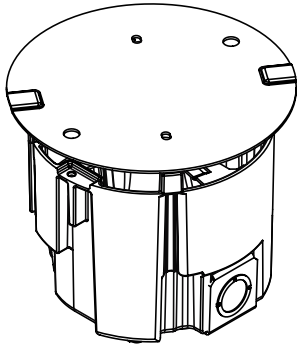
Sold Separately:

- Evolution™ Series 8CTC & 8CT Round Covers
- Device Plates

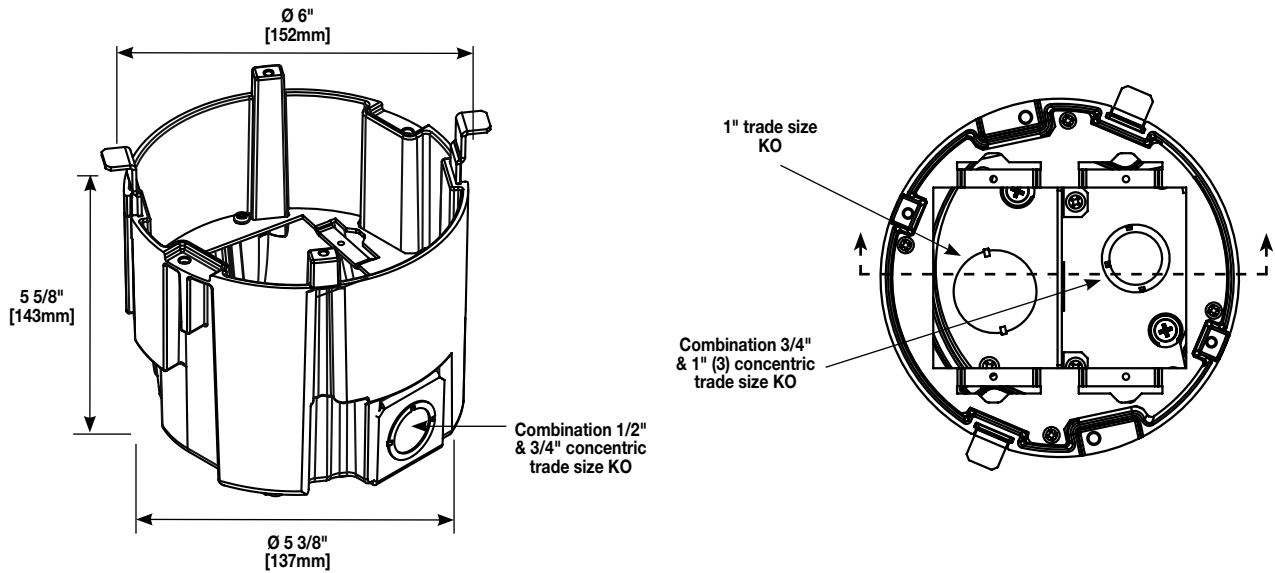
**Country of Origin:** Mexico

## CRFB2 Series Floor Box Ordering Information

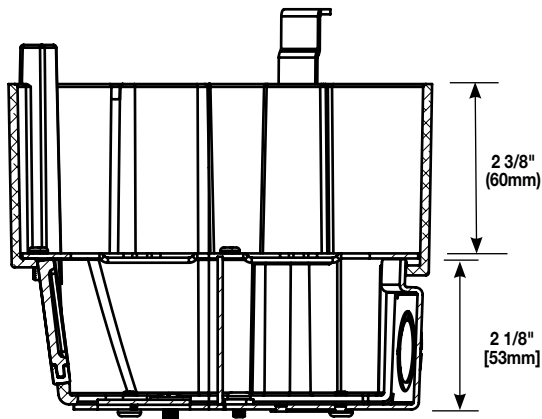
Catalog No./Item	Description/Specifications
CRFB2	<p><b>CRFB Housing</b> – Die-cast aluminum construction with stamped steel bottom plate. Contains 2 gangs which utilize 8AT Series device plates. Includes divider for separating gangs.</p> <p><b>Country of Origin:</b> China</p> <p><b>NOTE:</b> Floor thickness range (including floor covering) 3/8" - 2" [9.5mm - 51mm].</p>



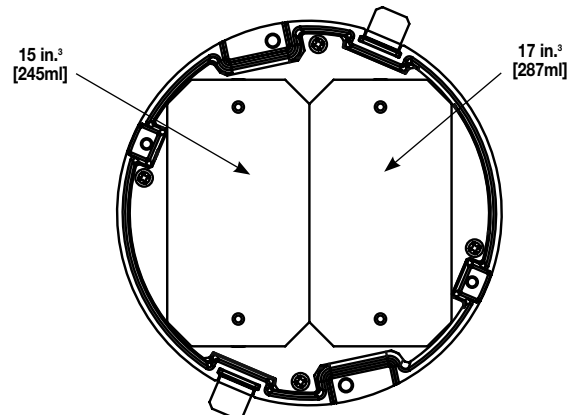
The CRFB2 Series Floor Box housing is die-cast aluminum construction with stamped steel bottom plate.



### COMPARTMENT DEPTH

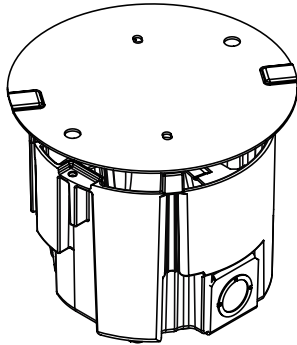


### COMPARTMENT VOLUMES

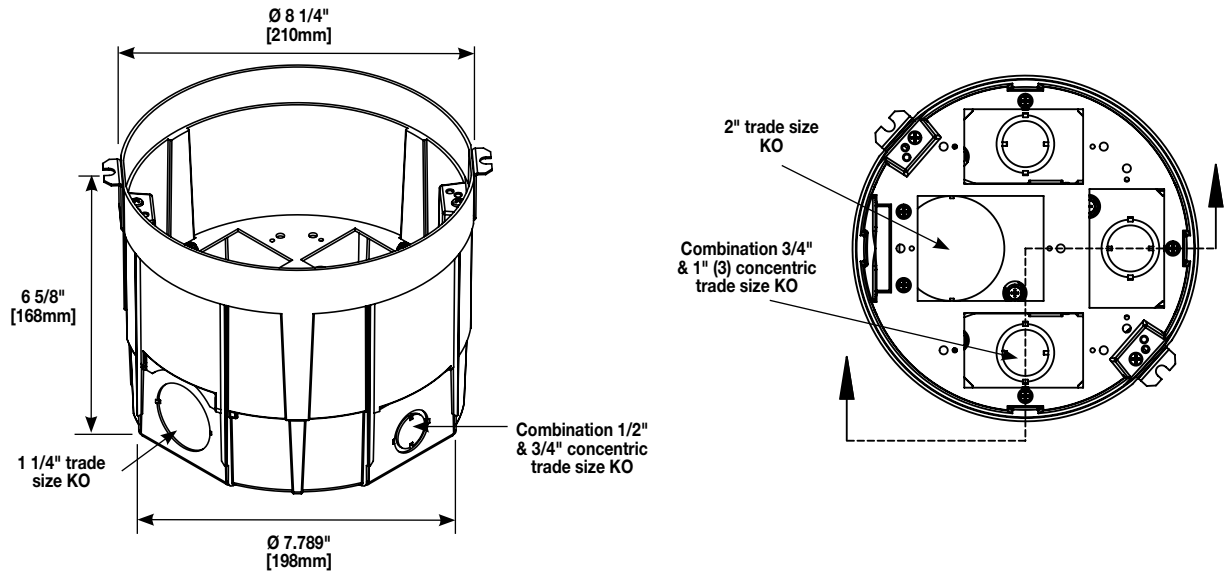


## CRFB4 Series Floor Box Ordering Information

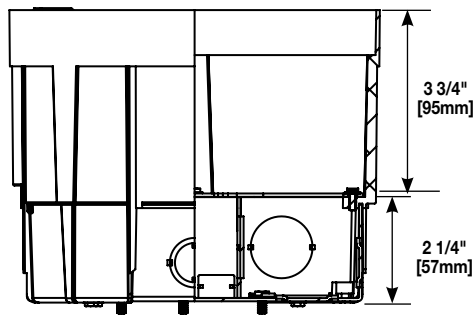
Catalog No./Item	Description/Specifications
CRFB4	<p><b>CRFB Housing</b> – Die-cast aluminum construction with stamped steel bottom plate. Includes 3 duplex receptacle plates, 1 center communication plate and 3 cable pass through grommets for 1" trade size tunnel.</p> <p><b>Country of Origin:</b> China</p> <p><b>NOTE:</b> Floor thickness range (including floor covering) 3/8" - 2" [9.5mm - 51mm].</p>



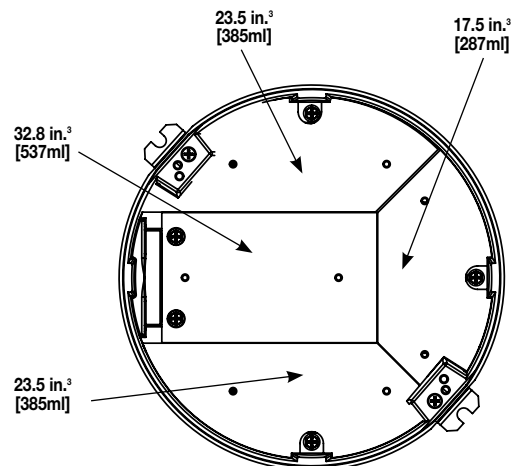
The CRFB4 Series Floor Box housing is die-cast aluminum construction with stamped steel bottom plate.



### COMPARTMENT DEPTH



### COMPARTMENT VOLUMES



**NOTE:** All brand and product names referenced in this document are registered trademarks or trademarks of their respective holders.

---



**Legrand, North America**  
60 Woodlawn Street  
West Hartford, CT 06110  
877-295-3472  
[www.legrand.us](http://www.legrand.us)

**Canada**  
844-977-3783  
[www.legrand.ca](http://www.legrand.ca)

FOLLOW US

