

WSP321

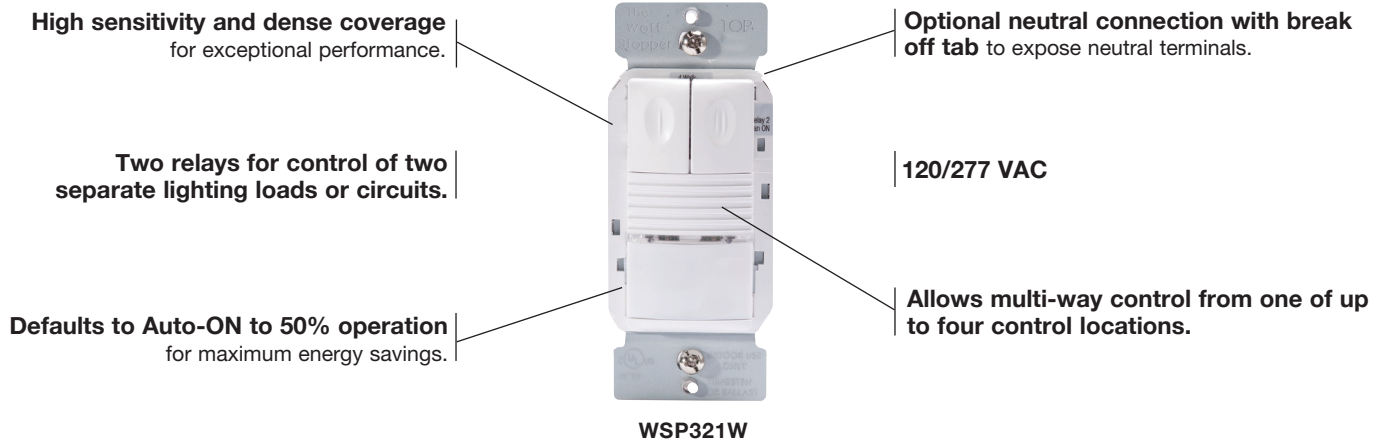
Optional Neutral PIR, Dual Relay Multi-Way Commercial Occupancy Sensor

The WSP321 passive infrared (PIR) wall switch sensor turns lights ON and OFF based on occupancy. It contains two relays for controlling two independent lighting loads or circuits, and a variety of features.

The WSP321 sensor is great for retrofit projects and well suited for small, enclosed spaces with a clear line of sight of the occupant. In addition, its dual relays allow bi-level switching or control of a secondary load. Common applications include small office, small conference room and lunch/break rooms.



FEATURES & BENEFITS



- Complies with 2011 NEC® requirements
- Zero-crossing on both relays for long relay life
- Vandal-resistant lens combines precise coverage with durability
- Selectable walk-through mode turns lights off three minutes after the room is initially occupied if no motion is detected after the first 30 seconds
- Test mode allows quick and easy adjustments
- LED indicates occupancy detection
- Selectable audible and/or visual alerts for impending shutoff
- In automatic mode, sensor returns automatically to Auto-ON after lights are turned off manually; ideal for presentations
- Optional light-level sensor holds secondary lights off when ambient lighting is above the preset level
- Service mode allows sensor to operate as a service switch in the unlikely event of a failure
- Sensor coverage tested to NEMA Guide Publication WD 7-2000
- Compatible with decorator wall plates



PASS & SEYMOUR®

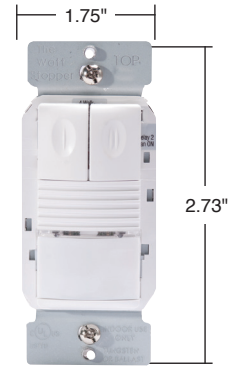
Passive Infrared Dual Relay Wall Switch Occupancy Sensor

ORDERING INFORMATION

Catalog No.	Description	Voltage	Load Rating	Coverage	Color
Passive Infrared Dual Relay Wall Switch Occupancy Sensor					
WSP321I	Passive Infrared Dual Relay Wall Switch Occupancy Sensor	120VAC; 50/60Hz or 277VAC; 50/60Hz	120VAC, 0-800W ballast, LED, tungsten, 1/6 hp or @ 277VAC 0-1000W ballast, LED, 1/6 hp	1050 sq ft	Ivory
WSP321W					White
WSP321BK					Black
WSP321GRY					Gray
WSP321LA					Light Almond

TECHNICAL SPECIFICATIONS

- 120/277VAC; 50/60Hz, 1/6 hp
@ 120VAC, 0-800W ballast, LED, and tungsten
@ 277VAC, 0-1000W ballast and LED
- Time delays: 5, 10, 15, 20, 25 or 30 minutes, walk-through, test-mode
- Coverage: Major motion 35' x 30'
Minor motion 20' x 15'
- Sensitivity adjustment: PIR (high/low)
- Dimensions (L x W x D): 2.73" x 1.75" x 1.81" (69mm x 44mm x 46mm)
- UL and cUL listed
- Five year warranty

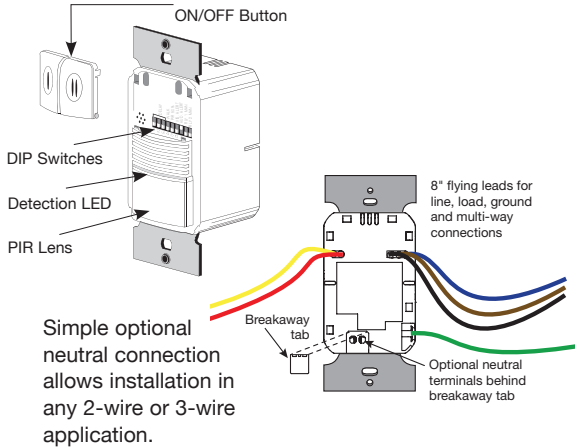


PASS & SEYMOUR® Passive Infrared Dual Relay Wall Switch Occupancy Sensor



CONTROLS & INSTALLATION

Product Controls & Neutral Option



DIP Switch Settings

Time Delay	1	2	3
Test/20 min	↓	↓	↓
5 minutes	↓	↓	↑
10 minutes	↓	↑	↓
15 minutes	↓	↑	↑
20 minutes	↑	↓	↓
25 minutes	↑	↓	↑
30 minutes	↑	↑	↓
Service	↑	↑	↑

Walk-Through	4
Enabled	↑
Disabled	↓

Service bypasses occupancy & light level functions. Control the load manually using **ON/OFF** button. ↑ = ON ↓ = OFF

Audible Alert	7
Enabled	↑
Disabled	↓

Relay 1 Mode	8
Manual On	↑
Auto On	↓

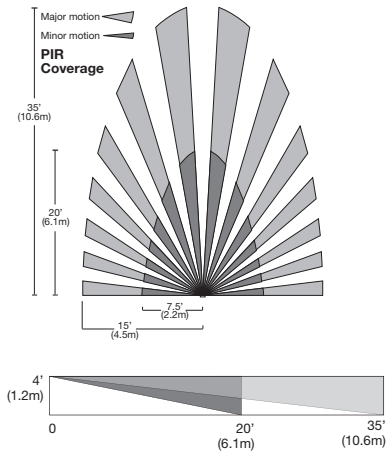
WSP321 ONLY

Relay 2 Mode	9
Manual On	↑
Auto On	↓

Factory Settings:
 ◀ All models
 ▲ WSP301
 ▲ WSP321

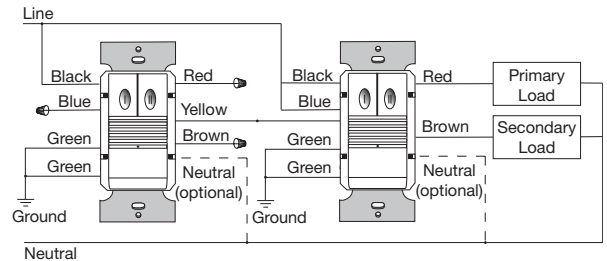
COVERAGE & WIRING

Coverage Pattern

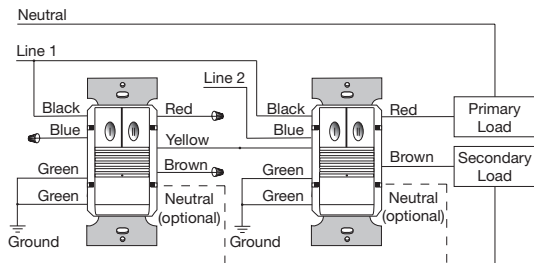


For best performance, use this sensor in spaces no larger than 15' x 12'.

Wiring Diagrams



Bi-level and multi-way wiring



Two circuit and multi-way wiring

ALSO AVAILABLE...

- | | | | |
|--------------------------------------|-------------------------------------|----------------------------------|--------------------------------------|
| ■ Plug Load RF Receptacles | ■ Straight Blade Plugs & Connectors | ■ Weatherproof Boxes & Covers | ■ Flexcor® Wire Mesh Grips |
| ■ Plug Load RF Signal Pack | ■ Turnlok® Locking Devices | ■ IEC 309 Industrial Products | ■ Bulk Solutions |
| ■ Plug Load Controllable Receptacles | ■ Hospital Grade Devices | ■ TVSS & Isolated Ground Devices | ■ Ground Continuity Monitoring (GCM) |



Electrical Wiring Systems

P.O. Box 4822
Syracuse, NY 13221-4822
Phone: 1.800.776.4035
www.legrand.us/passandseymour

570 Applewood Crescent
Vaughan, Ontario L4K 4B4
Phone: 905.738.9195
www.legrand.ca