

WSP301

Optional Neutral PIR Multi-Way Commercial Occupancy Sensor

The WSP301 passive infrared (PIR) wall switch sensor can turn lights OFF and ON based on occupancy. It is characterized by high sensitivity to small and large movements, appealing aesthetics, and a variety of features.

The WSP301 sensor is great for retrofit projects and well suited for small, enclosed spaces with clear line of sight of the occupant. Common applications include small offices, small conference rooms and lunch/break rooms.



FEATURES & BENEFITS

High sensitivity and dense coverage
for exceptional performance.

Defaults to Manual-ON operation
for maximum energy savings.

Color-matched lens and low profile
for appealing design

**Optional neutral connection with break
off tab** to expose neutral terminals.

120/277 VAC

**Allows multi-way control from one of up
to four control locations.**



WSP301W

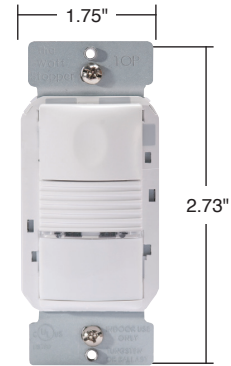
- Complies with 2011 NEC® requirements
- Zero-crossing for long relay life
- Vandal-resistant lens combines precise coverage with durability
- Selectable walk-through mode turns lights off three minutes after the room is initially occupied if no motion is detected after the first 30 seconds
- Test mode allows quick and easy adjustments
- Selectable audible and/or visual alerts for impending shutoff
- LED indicates occupancy detection
- In automatic mode, sensor returns automatically to Auto-ON after lights are turned off manually; ideal for presentations
- Optional light-level sensing with simple setup
- Service mode allows sensor to operate as a service switch in the unlikely event of a failure
- Sensor coverage tested to NEMA Guide Publication WD 7-2000
- Compatible with decorator wall plates

ORDERING INFORMATION

Catalog No.	Description	Voltage	Load Rating	Coverage	Color
Passive Infrared Wall Switch Occupancy Sensor					
WSP301I	Passive Infrared Wall Switch Occupancy Sensor	120VAC; 50/60Hz or 277VAC; 50/60Hz	120VAC, 0-1000W ballast, LED, tungsten, 1/6 hp or @ 277VAC 0-1200W ballast, LED, 1/6 hp	1050 sq ft	Ivory
WSP301W					White
WSP301BK					Black
WSP301GRY					Gray
WSP301LA					Light Almond

TECHNICAL SPECIFICATIONS

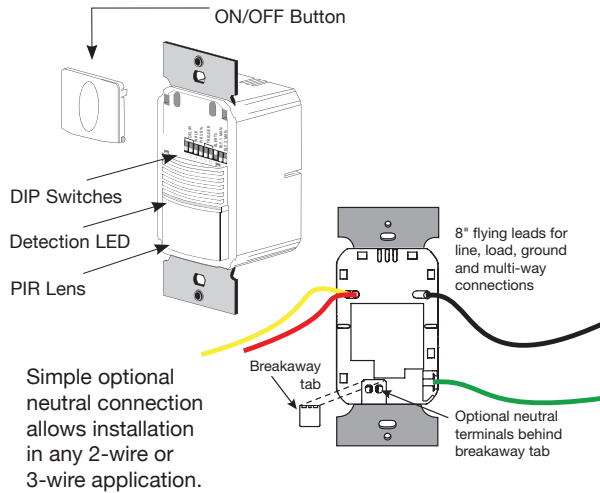
- 120/277VAC; 50/60Hz, 1/6 hp
@ 120VAC, 0-1000W ballast, LED, and tungsten
@ 277VAC, 0-1200W ballast and LED
- Time delays: 5, 10, 15, 20, 25 or 30 minutes, walk-through, test-mode
- Coverage: Major motion 35' x 30'
Minor motion 20' x 15'
- Sensitivity adjustment: PIR (high/low)
- Dimensions (L x W x D): 2.73" x 1.75" x 1.81" (69mm x 44mm x 46mm)
- UL and cUL listed
- Five year warranty



PASS & SEYMOUR® Passive Infrared Wall Switch Occupancy Sensor

CONTROLS & INSTALLATION

Product Controls & Neutral Option



DIP Switch Settings

Time Delay	1	2	3
Test/20 min	↓	↓	↓
5 minutes	↓	↓	↑
10 minutes	↓	↑	↑
15 minutes	↓	↑	↑
20 minutes	↑	↓	↓
25 minutes	↑	↓	↓
30 minutes	↑	↑	↓
Service	↑	↑	↑

Walk-Through	4
Enabled	↑
Disabled	↓

Visible Alert	6
Enabled	↑
Disabled	↓

PIR Sensitivity	5
Low, 50%	↑
High	↓

Audible Alert	7
Enabled	↑
Disabled	↓

Relay 1 Mode	8
Manual On	↑
Auto On	↓

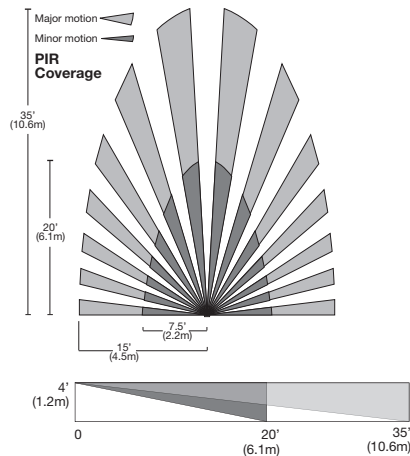
Relay 2 Mode	9
Manual On	↑
Auto On	↓

Service bypasses occupancy & light level functions. Control the load manually using ON/OFF button. ↑=ON ↓=OFF

Factory Settings:
 ◀ All models
 ▲ WSP301
 ▲ WSP321

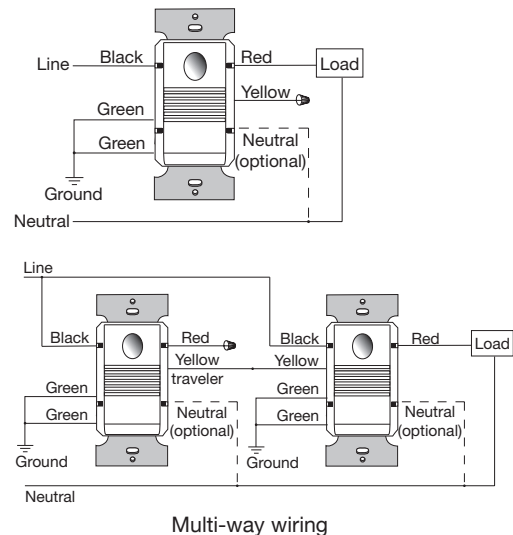
COVERAGE & WIRING

Coverage Pattern



For best performance, use this sensor in spaces no larger than 15' x 12'.

Wiring Diagrams



ALSO AVAILABLE...

- | | | | |
|--------------------------------------|-------------------------------------|----------------------------------|--------------------------------------|
| ■ Plug Load RF Receptacles | ■ Straight Blade Plugs & Connectors | ■ Weatherproof Boxes & Covers | ■ Flexcor® Wire Mesh Grips |
| ■ Plug Load RF Signal Pack | ■ Turnlok® Locking Devices | ■ IEC 309 Industrial Products | ■ Bulk Solutions |
| ■ Plug Load Controllable Receptacles | ■ Hospital Grade Devices | ■ TVSS & Isolated Ground Devices | ■ Ground Continuity Monitoring (GCM) |



Electrical Wiring Systems

P.O. Box 4822
Syracuse, NY 13221-4822
Phone: 1.800.776.4035
www.legrand.us/passandseymour

570 Applewood Crescent
Vaughan, Ontario L4K 4B4
Phone: 905.738.9195
www.legrand.ca