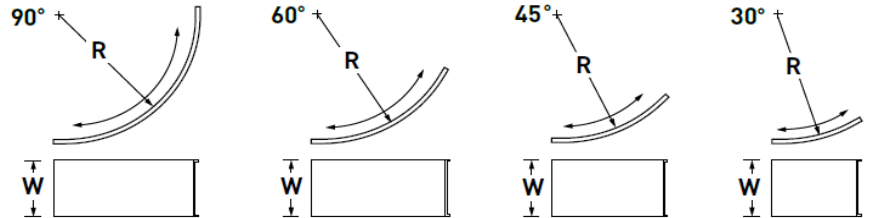
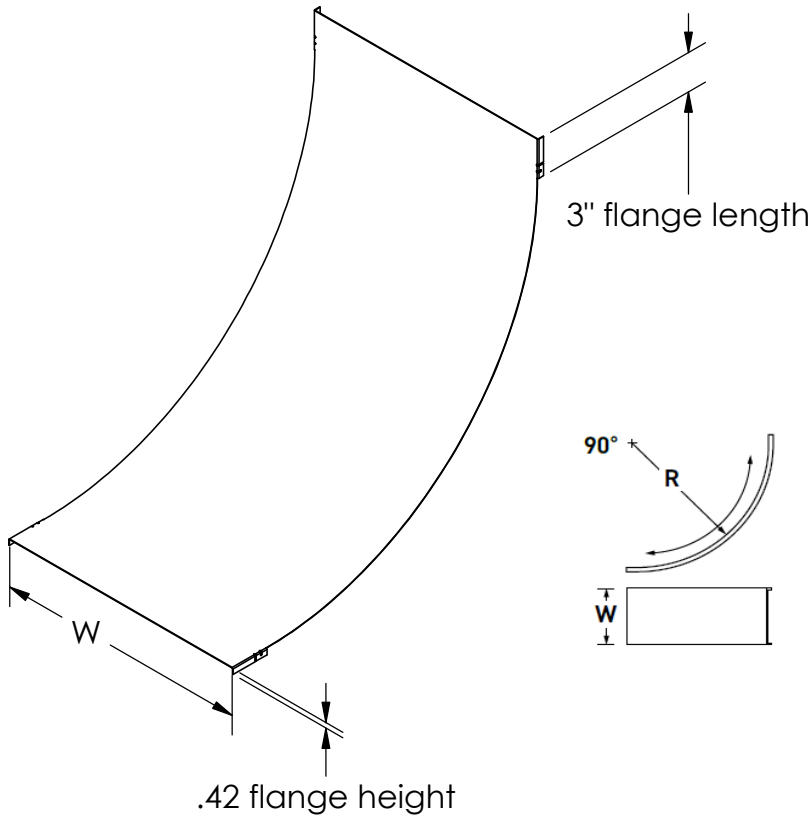


90VI/ 60VI/ 45 VI/ 30VI Covers for Vertical Inside Fittings



- **Material:** Aluminum Alloy 5052 - H32
- **Finish:** Plain
- **Width (W):** is width of tray" 6", 9", 12", 18", 24", 30", 36"
- Cover connectors are purchased separately

VERTICAL INSIDE ELBOW COVER CATALOG NUMBERING EXAMPLE:

MATERIAL	A	COVER TYPE	SFF	FITTING CODE	90VI	RADIUS	24	WIDTH	12
		SFF - Solid Flat Flanged		90VI		12 - 12"		06 - 6"	
		LFF - Louvered Flat Flanged		60VI		24 - 24"		09 - 9"	
				45VI		36 - 36"		12 - 12"	
				30VI				18 - 18"	
								24 - 24"	
								30 - 30"	
								36 - 36"	