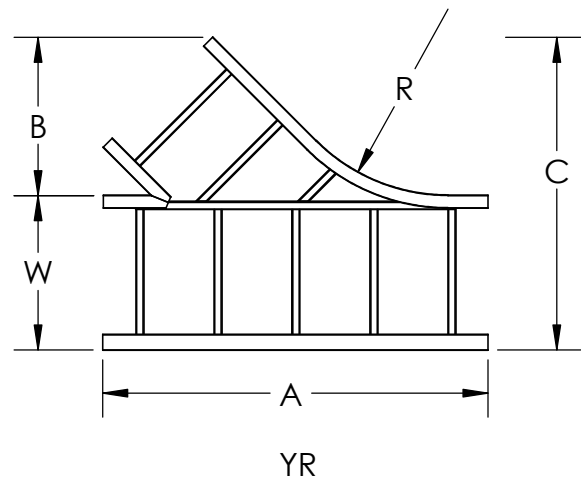
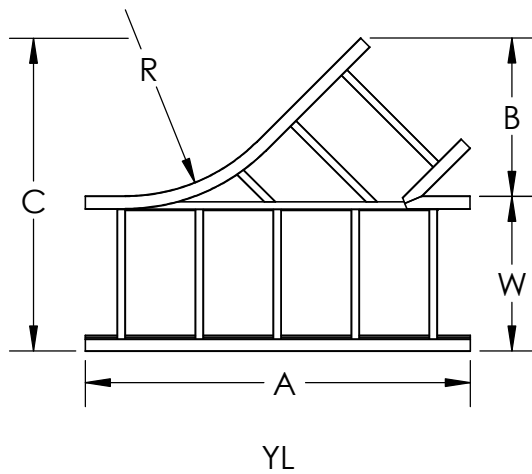
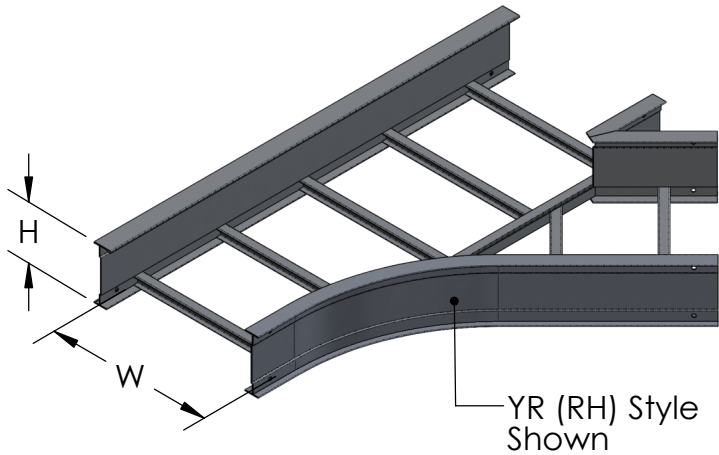


YL/YR Horizontal WYE Branches



ITRAY VERTICAL TEE CATALOG NUMBERING EXAMPLE:

BOTTOM TYPE	LD - 4	A	- YL	24	- 09	WIDTH
VENTED						06 - 6"
LD - Ladder Rung						09 - 9"
NON-VENTED						12 - 12"
SB - Solid Bottom						18 - 18"
	RAIL HEIGHT		FITTING CODE		RADIUS	24 - 24"
	4 - 4"		YL			
	5 - 5"		YR			
	6 - 6"	MATERIAL				
	7 - 7"	A				

Width W	Radius R	A	B	C
6	24	31-1/4	12	18
9		35-1/2	14-1/8	23-1/8
12		39-5/8	16-1/4	28-1/4
18		48-1/4	20-1/2	38-1/2
24		56-5/8	24-3/4	48-3/4
30		65-1/4	29	59
36		73-5/8	33-1/4	69-1/4

- **Material:** Aluminum Alloy 6063
- **Finish:** Plain
- **Bottom:** LD: 1" wide rung
SB: Flat sheet over Rung
- **Construction:** Welded
- **Tray Design:** Tray construction and markings are per the latest edition of NEMA Standards Publication VE1, CSA C22.2 No. 126
- **Connectors:** All fittings are supplied with necessary connectors and fasteners
- **Fitting heights (H):** 4", 5", 6", 7"

Legrand
8319 State Route 4
Mascoutah, IL 62258 USA
800-658-4641
618-566-3230
Fax 618-566-3250
www.legrand.us/cablofil