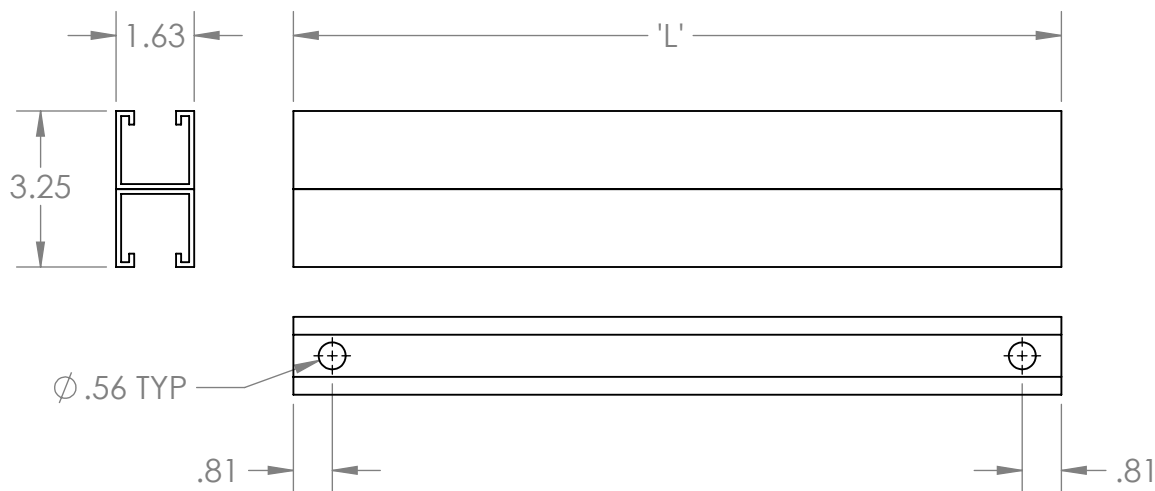
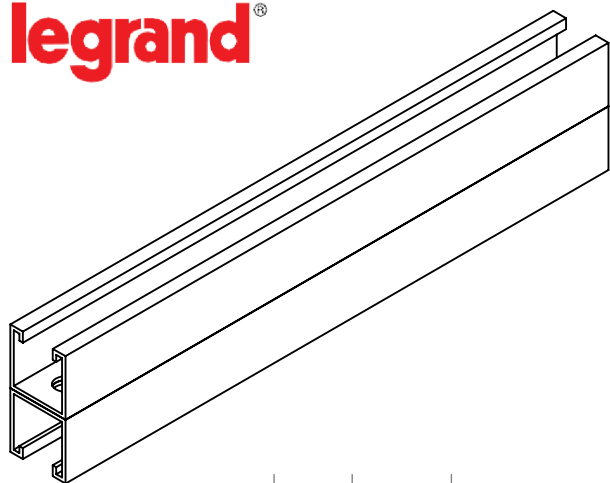




PW Ladder Cable Tray Hanger Channel

0371 & 0394 Series Double Hanger Channel



Material: Aluminum Finish: None
 Carbon Steel Mill Galvanized
 Carbon Steel Hot-Dip Galvanized
 316 Stainless Steel None

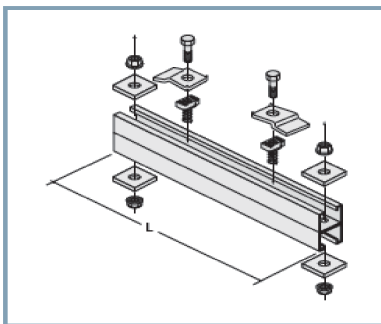
0371 Series

Includes:
 1 1-5/8" X 3-1/4" X 'L' Channel

0394 Series

Includes:
 1 1-5/8" X 3-1/4" X 'L' Channel
 4 1-1/2" X 1/4" Square Washers
 4 1/2" Flanged Hex Nuts
 2 3/8" Hex Head Bolts
 2 3/8" Channel Nuts With Spring
 2 1893 Tray Hold Down Clamps

**DOUBLE HANGER
CHANNEL KIT***



TRAY WIDTH	PRODUCT NUMBER		FLANGE IN	FLANGE OUT
	HANGER	KIT	L (W+4)	L (W+10)
6	0371	0394	10	16
9			13	19
12			16	22
18			22	28
24			28	34
30			34	40
36			40	46
FASTENERS INCLUDED WITH KIT ONLY*				ZN S6
CATALOG NUMBERING EXAMPLE:				
Material Length Fasteners				
M - 0394 - 16 - S6*				

Fastener Options: Stainless Steel (S6)
 Zinc Plated Steel (ZN)

"Copyright LNA, Inc. Drawings are proprietary and may not be copied or otherwise duplicated or used without express written permission."

CABCS1179

Legrand
 8319 State Rt. 4
 Mascoutah, IL 62258 USA
 800-658-4641
 618-566-3250
 Fax 618-566-4978
 www.legrand.us/cablofil