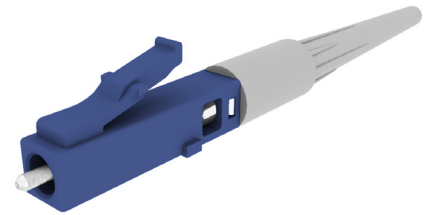


DATA SHEET

Infinium Keyed LC Splice-On Connector For 900um Fiber, 9/125 Single-Mode OS2



Overview

Keyed connectivity solutions offer users security and network segregation to match cords to the proper channels during installation. Using a factory-terminated and pre-polished connector, this Splice-On Connector (SOC) provides a connection that meets or exceeds industry standards for loss and back reflection. The Connector is provided with a factory-cleaved 900um fiber stub to ensure ease of use and optimal performance.

The unique boot allows the entire splice to be concealed and protected. The addition of an extended brass crimp sleeve provides extra protection to the splice and utilizes the Kevlar for maximized pull strength. This Splice-On Connector is designed to work with many fusion splicers (cordage fiber holders & Universal SOC Oven are required).

Features

- **Keyed LC:** Control access to networks preventing non keyed LC connectors from being inserted
- **Multimode or Single-mode:** Supports Single-Mode (OS2) fiber
- **Fiber Stub:** A factory-cleaved 900um fiber stub ensures ease of use and optimal performance
- **Boot:** 1.6 in boot protects the splice for easy cable management

Part Number	Description
205KKF9SA-09-A	Infinium Keyed LC Splice-On Connector (SOC) For 900um Fiber, 9/125 Single-Mode OS2 - Rose
205KKF9SA-09-B	Infinium Keyed LC Splice-On Connector (SOC) For 900um Fiber, 9/125 Single-Mode OS2 - White
205KKF9SA-09-C	Infinium Keyed LC Splice-On Connector (SOC) For 900um Fiber, 9/125 Single-Mode OS2 - Yellow
205KKF9SA-09-D	Infinium Keyed LC Splice-On Connector (SOC) For 900um Fiber, 9/125 Single-Mode OS2 - Red
205KKF9SA-09-E	Infinium Keyed LC Splice-On Connector (SOC) For 900um Fiber, 9/125 Single-Mode OS2 - Orange
205KKF9SA-09-F	Infinium Keyed LC Splice-On Connector (SOC) For 900um Fiber, 9/125 Single-Mode OS2 - Violet
205KKF9SA-09-G	Infinium Keyed LC Splice-On Connector (SOC) For 900um Fiber, 9/125 Single-Mode OS2 - Gray
205KKF9SA-09-H	Infinium Keyed LC Splice-On Connector (SOC) For 900um Fiber, 9/125 Single-Mode OS2 - Blue
205KKF9SA-09-J	Infinium Keyed LC Splice-On Connector (SOC) For 900um Fiber, 9/125 Single-Mode OS2 - Brown
205KKF9SA-09-K	Infinium Keyed LC Splice-On Connector (SOC) For 900um Fiber, 9/125 Single-Mode OS2 - Aqua
205KKF9SA-09-L	Infinium Keyed LC Splice-On Connector (SOC) For 900um Fiber, 9/125 Single-Mode OS2 - Magenta
205KKF9SA-09-M	Infinium Keyed LC Splice-On Connector (SOC) For 900um Fiber, 9/125 Single-Mode OS2 - Green

DATA SHEET

Infinium Keyed LC Splice-On Connector For 900um Fiber, 9/125 Single-Mode OS2

General Information

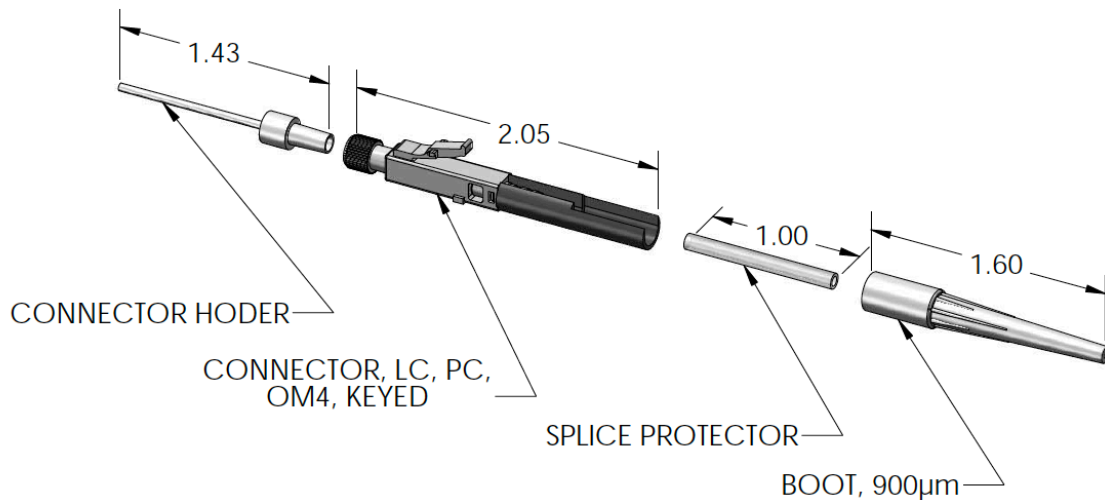
- Color:
 - 205KKF9SA-09-A (Rose)
 - 205KKF9SA-09-B (White)
 - 205KKF9SA-09-C (Yellow)
 - 205KKF9SA-09-D (Red)
 - 205KKF9SA-09-E (Orange)
 - 205KKF9SA-09-F (Violet)
 - 205KKF9SA-09-G (Gray)
 - 205KKF9SA-09-H (Blue)
 - 205KKF9SA-09-J (Brown)
 - 205KKF9SA-09-K (Aqua)
 - 205KKF9SA-09-L (Magenta)
 - 205KKF9SA-09-M (Green)

General Information

- Installation: Infinium, Q-Series, or TracJack Keyed LC Ports
- Typical Application: Single Mode OS2
- Connection Type: Keyed LC

Listing Agencies/Third Party Certifications

- RoHS: Yes



Legrand, North and Central America

60 Woodlawn Street
West Hartford, CT 06110
1.877.BY.LEGRAND (295.3472)
www.legrand.us